



INDUSTRIAL LED LIGHTING

2019-2020 CATALOGUE

PRODUCTS

INDUSTRIAL LED LIGHTING



INDOOR LIGHTING



IP69K LED Tri-proof Light L9

20W/40W/50W/60W

PAGE 01



UGR < 19 IP69K Tri-proof Light

20W/40W/50W/60W

PAGE 03



IP65 LED Batten Fitting L10

40W/50W/55W/65W

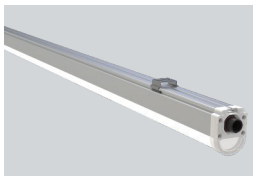
PAGE 05



Easy-install IP65 LED Tri-proof Light L8

20W/40W/50W/60W

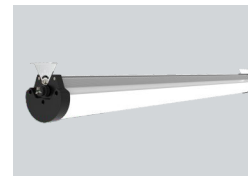
PAGE 07



IP65 Seamless Linkable LED Light L5

15W/30W/40W

PAGE 09



LED Linear Low Bay Fixture L1

40W/60W/80W/100W

PAGE 11



LED Compact High Bay F4

100W/150W/200W

PAGE 13



IP69K Food Processing High Bay F10

100W/120W/150W

PAGE 15

PRODUCTS

INDUSTRIAL LED LIGHTING



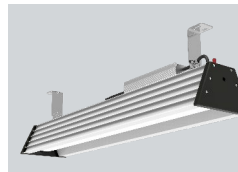
INDOOR LIGHTING



High-temp Ambient High Bay F9H

100W/150W

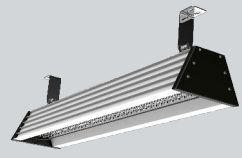
PAGE 17



LED Linear High Bay G5

80W/100W/150W/200W/350W

PAGE 19



UGR < 19 LED Linear High Bay G5

80W/120W/150W/200W

PAGE 21

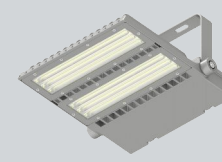
OUTDOOR LIGHTING



LED Street Light Series

28W/38W/45W/55W/65W/75W/90W
105W/120W/130W/150W/160W/180W

PAGE 23



LED Area Light F3

75W/100W/150W/200W/240W

PAGE 25



LED Sports & High Mast Flood Light

350W/500W/600W

PAGE 28



Features

- IP67 & IP68 & IP69K
- PMMA IK08/PC IK10
- Anti-ammonia
- Against water pressure of 100bar(1450psi) and temperature of 80°C
- System efficiency up to 130lm/W & 150lm/W
- High CRI >80
- UGR<19 option
- Environmentally friendly, no mercury, No UV, No IR
- Wide beam angle 120°
- Energy Efficiency Grade: A+
- Quick Start instant 100% luminous flux
- 5 Year Warranty on complete fixture. (LED's, Driver, & Housing)
- Certificate: CE, RoHS Certified
- Surface Mount or Suspended

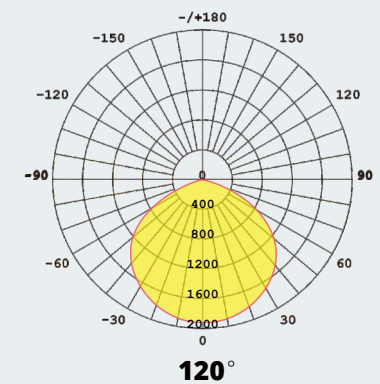


IP69K LED Tri-proof Light

- PC IK10/PMMA IK08
- Anti-ammonia
- Chemical resistant, Oil resistant
- 130lm/W 150lm/W
- Against water pressure of 100bar(1450psi) and temperature of 80°C

Applications

- Car parks
- Ships
- Food Processing
- Poultry Lighting
- Farm Lighting
- Water treatment plants
- Railway stations
- Car Washing
- Airports
- Inspection pits
- Tunnels
- Port installations



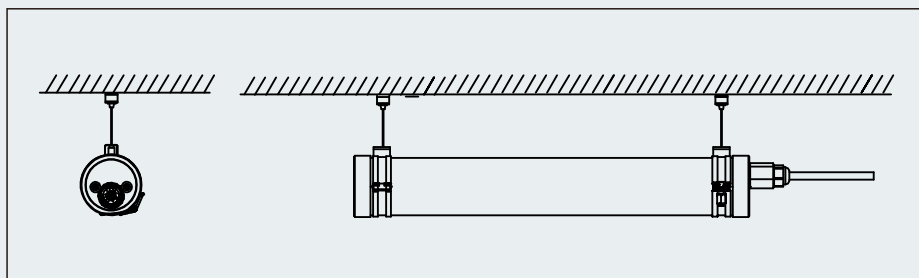
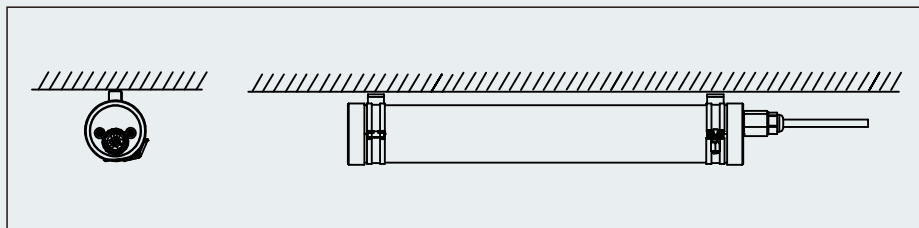
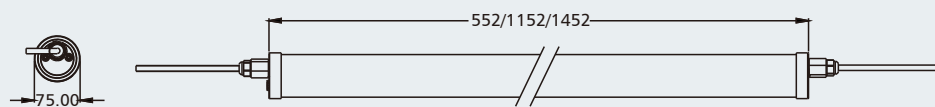
20W/40W/50W/60W



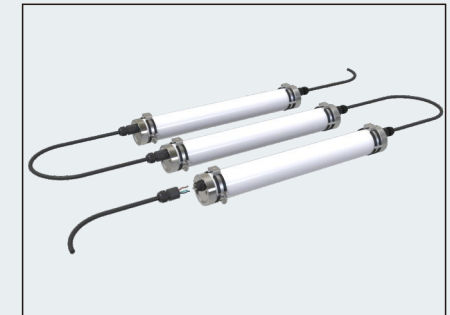
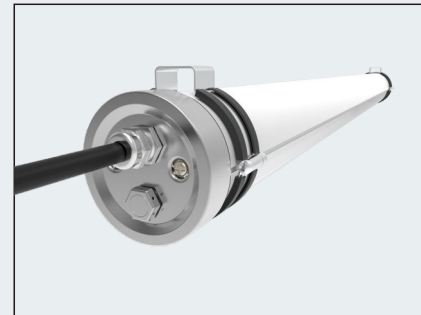
Single installation



Linkable Installation



IP69K LED Tri-proof Light L9



Specifications

Product Code	TBL92F-20W	TBL94F-40W	TBL95F-50W	TBL95F-60W	
Power	20W	40W	50W	60W	
Input Voltage	200-240VAC(50/60Hz)				
Input Current	0.09A@220VAC	0.19A@220VAC	0.23A@220VAC	0.28A@220VAC	
PF	>0.90@220VAC				
Dimming	BOKE	2 in 1 dimming (PWM, 0-10V)			
Optional	BOKE	3 in 1 dimming (PWM, 0-10V, Resistor)Dali			
CCT	3000K/4000K/5000K/6000K				
Ra > 80	Luminous Flux	2600Lm±5%	5200Lm±5%	6500Lm±5%	7800Lm±5%
	Efficiency	130Lm/W±5%			
Ra > 80	Luminous Flux	3000Lm±5%	6000Lm±5%	7500Lm±5%	9000Lm±5%
	Efficiency	150Lm/W±5%			
LED Brand	Lumileds 2835 and Cree 2835				
Beam Angle	120°				
Operation Temp	-25°C~+45°C				
Storage Temp	-25°C~+85°C				
Life Span	45°C 50000Hours				
IP Class	IP67&IP69K				
IK Class	PMMA/IK08/PC/IK10				
Certificate	CE, RoHS, CB, IK10, IP69K				
Lamp Body Color	Milky PC/PMMA Housing & 304/316 Stainless Steel End Caps				
Product Size (mm)	552*75*86	1152*75*86	1452*75*86	1452*75*86	
Packing Size (mm)	710*270*270	1310*270*270	1610*270*200	1610*270*200	
Quantity/carton	9pcs	9pcs	6pcs	6pcs	
Gross weight (kg) ± 0.3	12	22	20	20	
Installation mode	Surface Mount/Suspension Mount				



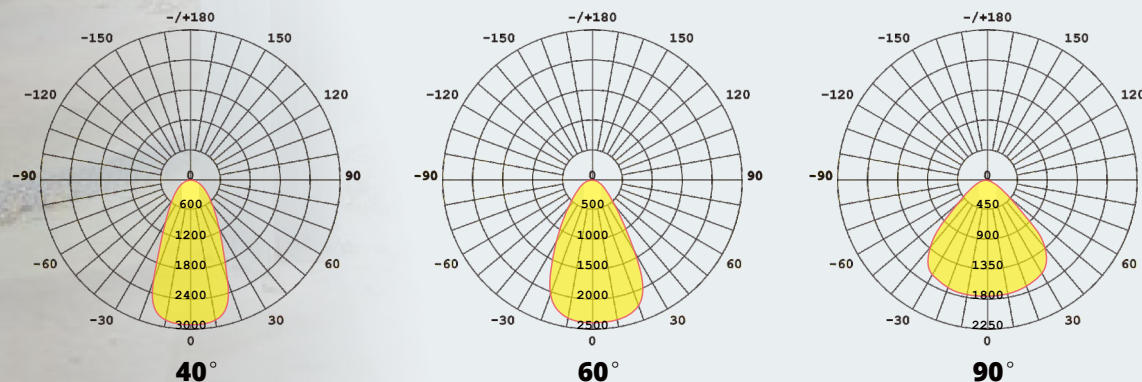
Features

- UGR < 19 low glare option (with clear cover & reflectors)
- IP67 & IP68 & IP69K
- PMMA Clear IK06 / PC Clear IK10
- 304/316 stainless steel end caps, breather, mounting bracket
- Against water pressure of 100bar(1450psi) and temperature of 80°C
- System efficiency up to 130lm/W
- High CRI > 80
- BOKE isolated driver, flicker free, ENEC/TUV/SAA/CE/C-tick certified
- Wide beam angle 40°/60°/90°
- 5 Year Warranty on complete fixture. (LED's, Driver, & Housing)
- CE, RoHS, IK06, IP68, IP69K, CB certificates
- Surface Mounting bracket included, suspension cables are sold separately
- Standard material for end caps, breather, surface mounting bracket is 304 stainless steel, 16 material is available for option.



Applications

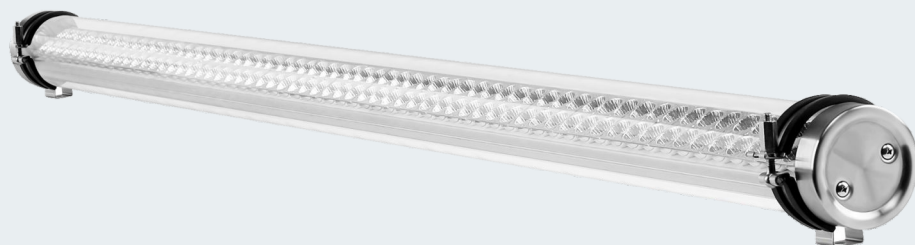
- Schools and universities
- Car parks
- Cultural facilities
- Housing facilities
- Public institutions and offices
- Railway stations and airports
- Tunnels
- Water treatment
- Port and naval installations
- Sports facilities
- Urban lighting
- Inspection pits
- Shopping centres



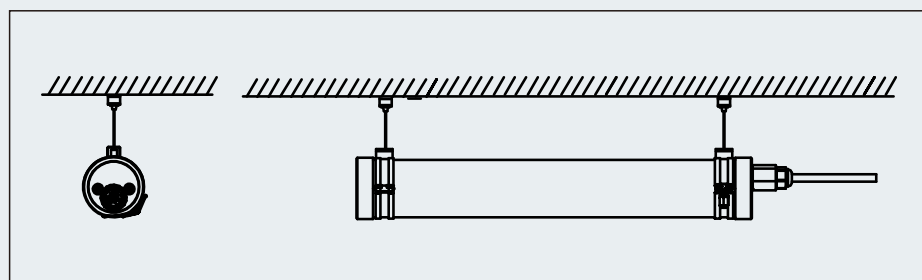
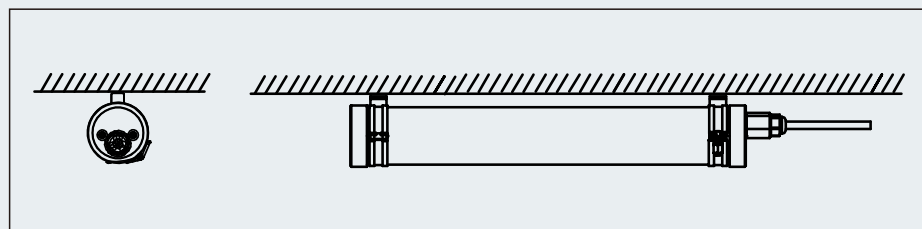
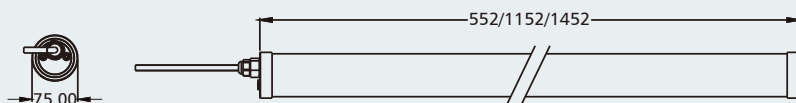
UGR < 19 IP69K Tri-proof Light

- PC IK10/PMMA IK06
- Anti-ammonia
- 130lm/W
- Against water pressure of 100bar(1450psi) and temperature of 80°C

20W/40W/50W/60W



Single installation



UGR<19 IP69K Tri-proof Light



Specifications

Product Code	TBL92F-20W-DXG	TBL94F-40W-DXG	TBL95F-50W-DXG	TBL95F-60W-DXG	
Power	20W	40W	50W	60W	
Input Voltage	200-240VAC(50/60Hz)				
Input Current	0.09A@220VAC	0.19A@220VAC	0.23A@220VAC	0.28A@220VAC	
PF	>0.90@220VAC				
Dimming	BOKE	2 in 1 dimming (PWM, 0-10V)			
Optional	BOKE	3 in 1 dimming (PWM, 0-10V, Resistor)Dali			
CCT	3000K/4000K/5000K/6000K				
Ra >80	Luminous Flux	2600Lm±5%	5200Lm±5%	6500Lm±5%	7800Lm±5%
	Efficiency	130Lm/W±5%			
Ra >80	Luminous Flux	3000Lm±5%	6000Lm±5%	7500Lm±5%	9000Lm±5%
	Efficiency	150Lm/W±5%			
LED Brand	Lumileds 3030 or Cree 3030				
Beam Angle	40°/ 60° UGR<19 / 90° UGR<22				
Operation Temp	-25°C~+45°C				
Storage Temp	-25°C~+85°C				
Life Span	45°C 50000Hours				
IP Class	IP67 & IP68 & IP69K				
IK Class	PMMA IK06 / PC IK10				
Certificate	CE, RoHS, CB, IK10, IP69K				
Lamp Body Color	Milky PC/PMMA Housing & 304/316 Stainless Steel End Caps				
Product Size (mm)	Ø75*552	Ø75*1152	Ø75*1452	Ø75*1452	
Packing Size (mm)	710*270*270	1310*270*270	1610*270*200	1610*270*200	
Quantity/carton	9pcs	9pcs	6pcs	6pcs	
Gross weight (kg) ±0.3	12	22	20	20	
Installation mode	Surface Mount/Suspension Mount				



Classic LED Batten Fitting Light

- 120°
- 40W 50W 60W 80W
- Options: 1-10V, DALI, MW Sensor, 3h Emergency Battery Backup

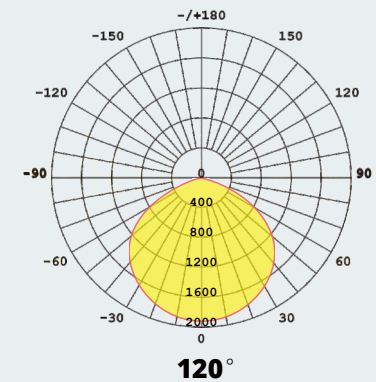
Features

- High Output LED's, up to 130m/W
- High CRI >80
- IK10 compact design
- High Transmittance, no shadow
- Flicker Free driver, High PF>0.9 low THD driver
- Environmentally friendly, no mercury, No UV, No IR
- Linkable Option
- IP65 waterproof, dust, corrosion and pressure-proof, vibration proof; for indoor & outdoor use
- Energy Efficiency Grade: A+
- Quick Start instant 100% luminous flux
- 5 Year Warranty on complete fixture. (LED's, Driver, & Housing)
- Certificate: CE, RoHS
- Optional: 1-10V Dimming, MW Sensor, 3h Emergency Battery Backup

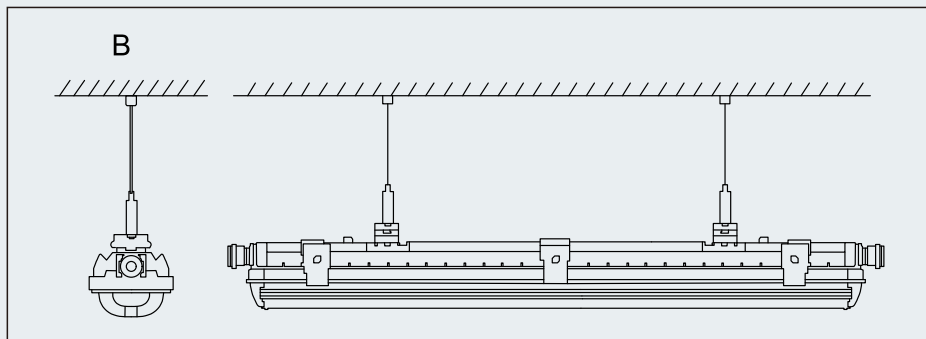
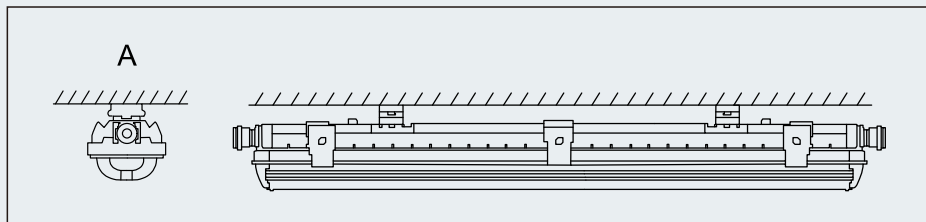
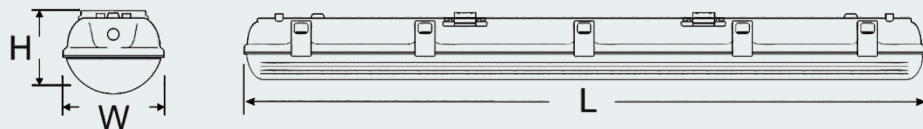


Applications

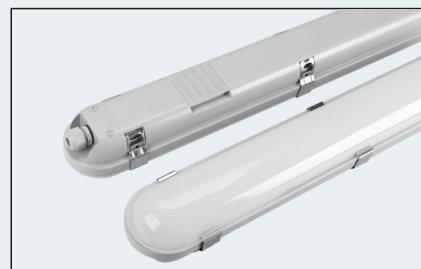
- Workshops
- Supermarket
- Warehouse
- Storage
- School Lighting
- Car parking Lighting



40W/50W/55W/65W



IP65 LED Batten Fitting L10



Specifications

Product Code	TBL10A4F-40W-S	TBL10A5F-50W-S	TBL10B4F-55W-S	TBL10B5F-65W-S	
Power	40W	50W	55W	65W	
Input Voltage	200-240VAC (50/60Hz)				
Input Current	0.19A@220VAC	0.23A@220VAC	0.25A@220VAC	0.30A@220VAC	
PF	>0.9A@220VAC				
Dimming(Optional)	1-10V, DALI, MW Sensor				
CCT	3000K/4000K/5000K/6000K				
Ra > 80	Luminous Flux	5200Lm ± 5%	6500Lm ± 5%	7150Lm ± 5%	8450Lm ± 5%
	Efficiency	130Lm/W ± 5%			
LED Brand	Lumileds 2835 or Epistar 2835				
Beam Angle	120°				
Operation Temp	-25°C ~ +45°C				
Storage Temp	-25°C ~ +85°C				
Life Span	L90 > 54000Hours				
IP Class	IP65				
IK Class	IK10				
Certificate	CE, ROHS				
Lamp Body Color	PC Base(Grey) + PC Cover(White)				
Product Size (mm)	1200*90*80	1500*90*80	1200*120*86	1500*120*86	
Packing Size (mm)	1280*335*290	1580*335*290	1280*290*310	1580*290*310	
Quantity/carton	9pcs	9pcs	6pcs	6pcs	
Gross weight (kg) ± 0.3	19.5	22	19.5	22	
Installation mode	Surface mount & Suspension Mount				

Easy-install IP65 LED Tri-proof Light L8



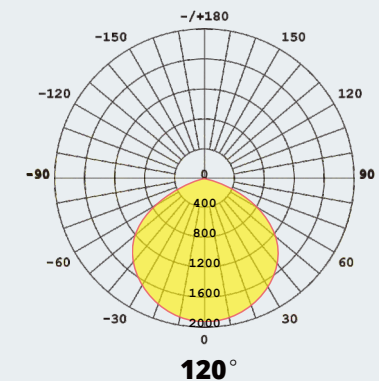
Features

- Fast Fit Easy Install
- System efficiency up to 130lm/W & 150lm/W
- High CRI >80
- Environmentally friendly, no mercury, No UV, No IR
- Wide beam angle 120°
- IP65 waterproof, dust, corrosion and pressure-proof; for indoor use
- Energy Efficiency Grade: A+
- Quick Start instant 100% luminous flux
- PC housing + PC cover+ Aluminium inside
- 5 Year Warranty on complete fixture. (LED's, Driver, & Housing)
- Certificate: CE, CB, RoHS Certified
- Surface Mount or Suspended



Applications

- Car parking Lighting
- School Lighting
- Workshops
- Supermarket
- Warehouse
- Storage



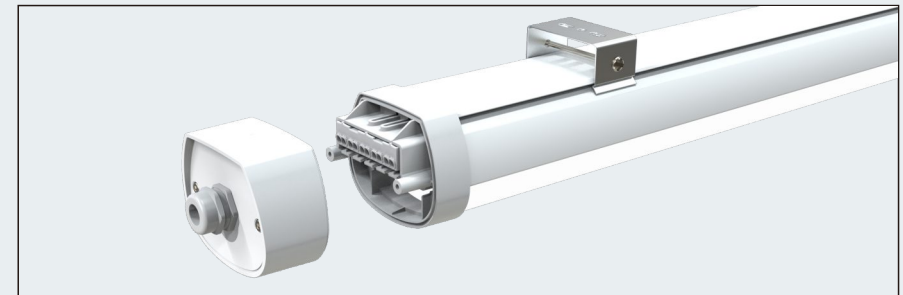
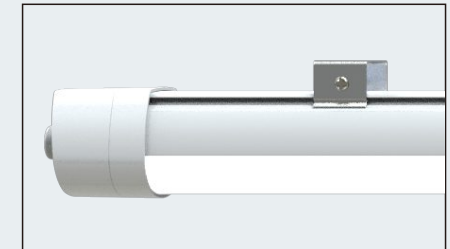
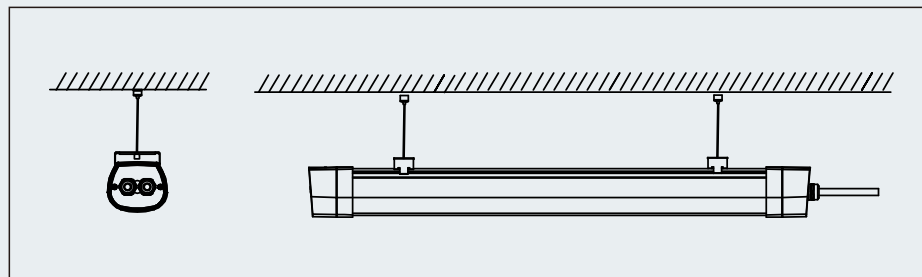
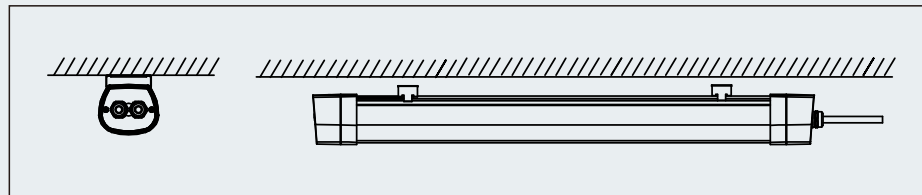
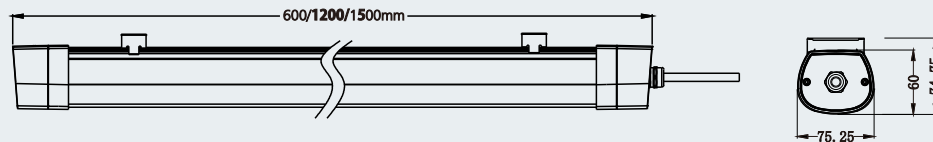
Easy Install LED Tri-proof Light

- 120°
- 130lm/W 150lm/W
- Linkable with 3 core or 5 core cable
- UGR19 UGR22 option

20W/40W/50W/60W



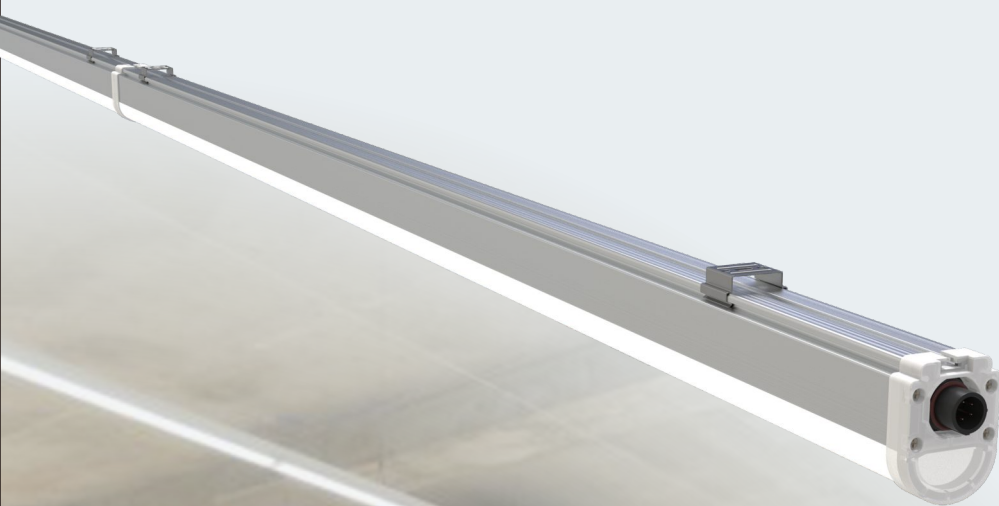
130~150lm/w



Specifications

Product Code	TBL82F-20W	TBL84F-40W	TBL85F-50W	TBL85F-60W
Power	20W	40W	50W	60W
Input Voltage	200-240VAC (50/60Hz)			
Input Current	0.1A@220VAC	0.19A@220VAC	0.23A@220VAC	0.28A@220VAC
PF	>0.9@220VAC			
Dimming(Optional)	1-10V, DALI, MW Sensor			
CCT	3000K/4000K/5000K/6000K			
Ra >80	Luminous Flux	2600Lm ± 5%	5200Lm ± 5%	6500Lm ± 5%
	Efficiency	130Lm/W ± 5%		
Ra >80	Luminous Flux	3000Lm ± 5%	6000Lm ± 5%	7500Lm ± 5%
	Efficiency	150Lm/W ± 5%		
LED Brand	Lumileds 2835 and Cree 2835			
Beam Angle	120°			
Operation Temp	-25°C ~ +45°C			
Storage Temp	-25°C ~ +85°C			
Life Span	45°C 50000Hours			
IP Class	IP65			
IK Class	IK10			
Certificate	CE, RoHS, CB, IK10			
Lamp Body Color	PC housing(white) + PC End Caps			
Product Size (mm)	623*75*63	1223*75*63	1523*75*63	1523*75*63
Packing Size (mm)	710*270*235	1310*270*235	1610*270*235	1610*270*235
Quantity/carton	9pcs	9pcs	9pcs	9pcs
Gross weight (kg) ± 0.3	12	20	22	22
Installation mode	Surface mount & Suspension Mount			

IP65 Seamless Linkable LED Light L5



Features

- High Output lumileds or epistar LED's, System Efficiency up to 140lm/W
- High CRI >80
- IP65
- 5 Year Warranty on complete fixture. (LED's, Driver, & Housing)
- Pendant Mount or Surface Mount
- Linkable connection for one row lighting
- seamless linkable
- Driver high PF>0.9, low THD, Flicker free
- Quick start instant 100% luminous flux
- Environmentally friendly, no mercury, No UV, No IR
- 0-10V, DALI, Microwave sensor options

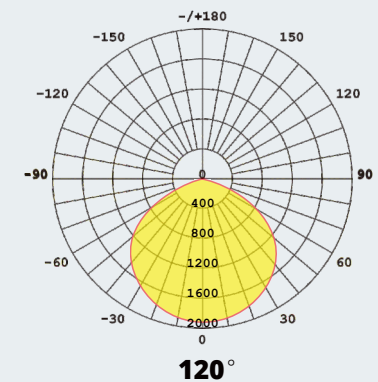


140lm/w seamless Linkable Tri-proof Light IP65

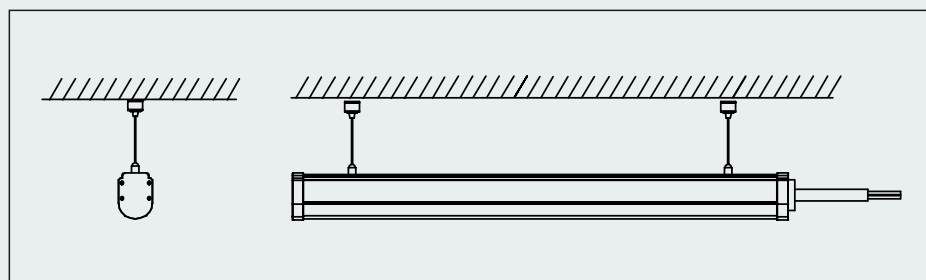
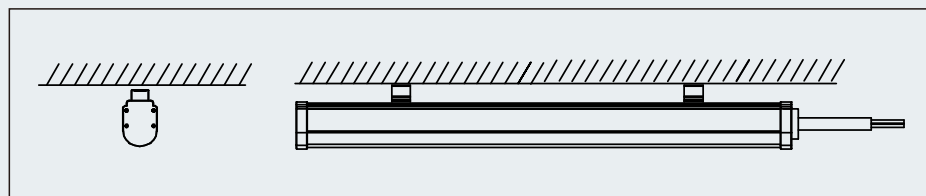
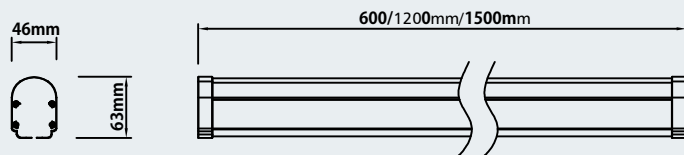
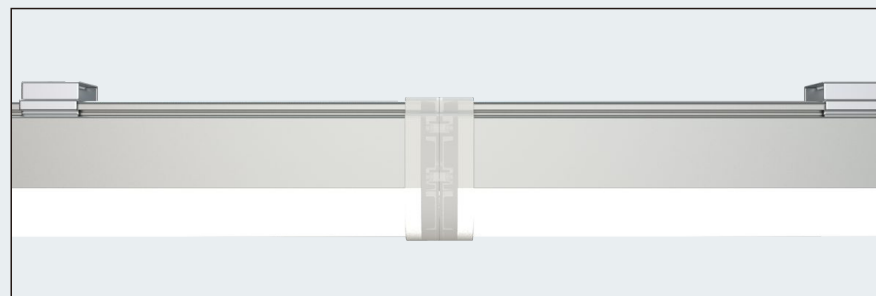
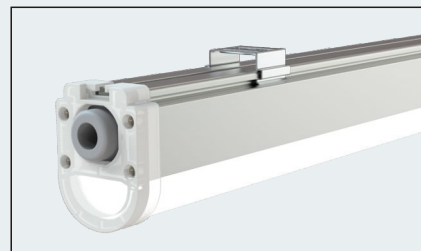
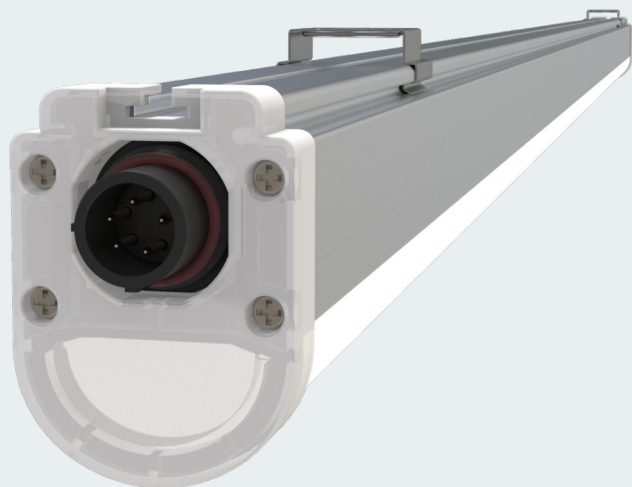
- Super Cost effective

Applications

- Office
- Warehouse
- Workshops
- Supermark
- Sports Halls



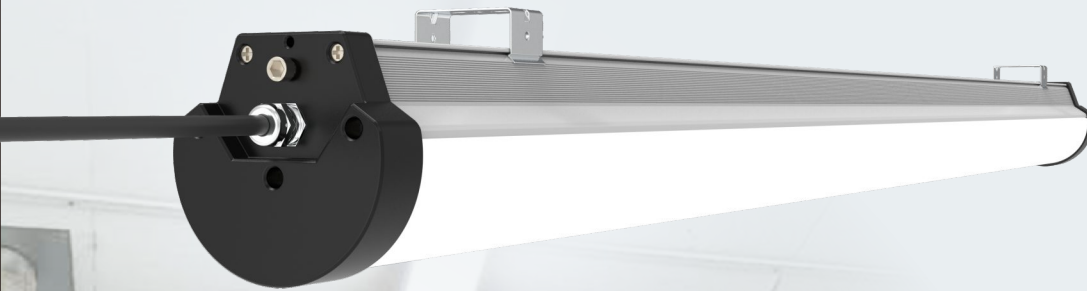
15W/30W/40W



Specifications

Product Code	TBL5-15W	TBL5-30W	TBL5-40W
Power	15W	30W	40W
Input Voltage	200-240VAC (50/60Hz)		
Input Current	0.07A@220VAC	0.14A@220VAC	0.19A@220VAC
PF	>0.9@220VAC		
Dimming(Optional)	1-10V, DALI, MW Sensor		
CCT	3000K/4000K/5000K/6000K		
Ra > 80	Luminous Flux	2100Lm ± 5%	4200Lm ± 5%
	Efficiency	140Lm/W ± 5%	
LED Brand	Lumileds 2835 and epistar 2835		
Beam Angle	120°		
Operation Temp	-25°C ~ +45°C		
Storage Temp	-25°C ~ +85°C		
Life Span	45°C 50000Hours		
IP Class	IP65		
IK Class	IK10		
Certificate	CE, RoHS		
Lamp Body Color	Silver Aluminium housing + Milky PC cover		
Product Size (mm)	600*46*63	1200*46*63	1500*46*63
Packing Size (mm)	680*325*352	1260*320*210	1560*320*210
Quantity/carton	20pcs	10pcs	10pcs
Gross weight (kg) ± 0.3	16	15	17
Installation mode	Surface mount & Suspension Mount		

LED Linear Low Bay Fixture L1



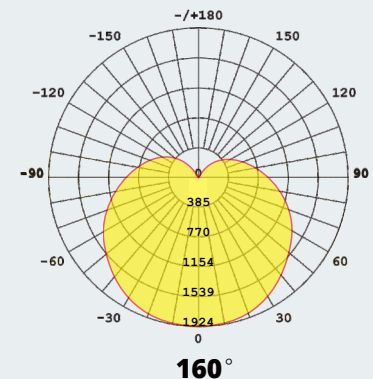
Features

- 130m/W, standard, 150lm/w optional
- High CRI >80
- Wide beam angle 160°
- IP66 waterproof, dust, corrosion and pressure-proof; for indoor use
- Aluminium housing+PC cover
- 5 Year Warranty
- Certificate: CE, RoHS, ETL, DLC, IK10
- Options: 1-10V Dimming, Microwave Sensor, 3h Emergency Battery Backup
- Hanging mount accessories included; 90°adjustable mounting clips for option



Applications

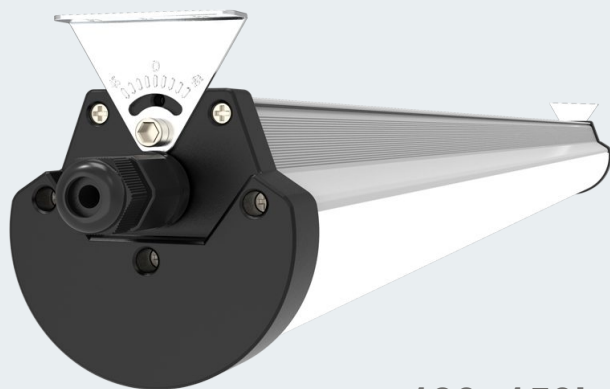
- Car parking Lighting
- School Lighting
- Workshops
- Supermarkets
- Warehouse
- Storage



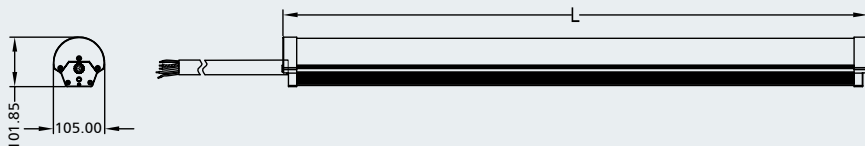
Unique Design Linear Low Bay L1

- 160° Light Distributor
- 90° Rotatable Mount Bracket

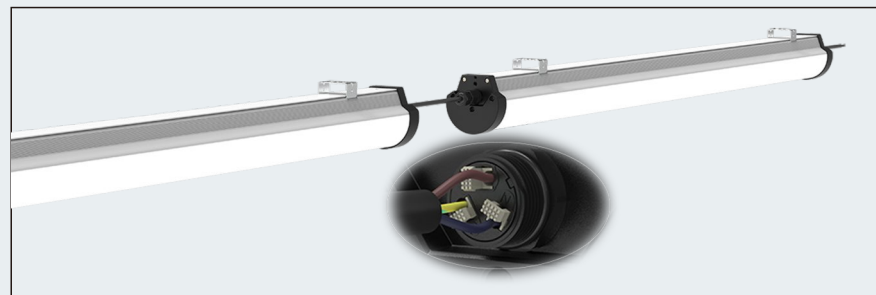
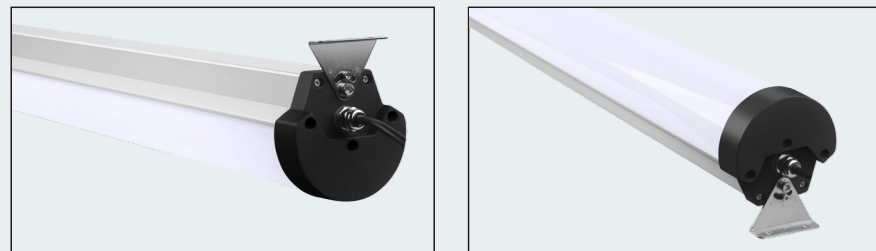
40W/60W/80W/100W



130~150lm/w



LED Linear Low Bay Fixture L1



Specifications

Product Code	LBF4F-40W	LBF4F-60W	LBF5F-40W	LBF5F-60W	LBF5F-80W	LBF5F-100W
Power	40W	60W	40W	60W	80W	100W
Input Voltage	200-240VAC (50/60Hz)					
Input Current	0.19A@220VAC	0.28A@220VAC	0.19A@220VAC	0.28A@220VAC	0.37A@220VAC	0.46A@220VAC
PF	>0.9@220VAC					
Dimming(Optional)	1-10V, DALI, MW Sensor					
CCT	3000K/4000K/5000K/6000K					
Ra > 80	Luminous Flux	5200Lm±5%	7800Lm±5%	5200Lm±5%	7800Lm±5%	10400Lm±5%
	Efficiency	130Lm/W±5%				
Ra > 80	Luminous Flux	6000Lm±5%	9000Lm±5%	6000Lm±5%	9000Lm±5%	12000Lm±5%
	Efficiency	150Lm/W±5%				
LED Brand	Lumileds 2835 and epistar 2835					
Beam Angle	160°					
Operation Temp	-25°C~+45°C					
Storage Temp	-25°C~+85°C					
Life Span	45°C 50000Hours					
IP Class	IP66					
IK Class	IK10					
Certificate	CE, ETL, DLC, RoHs					
Lamp Body Color	Silver Aluminium housing + Milky PC cover					
Product Size (mm)	1200*105*127		1500*105*127		1500*105*127	
Packing Size (mm)	1250*245*238		1550*245*238		1550*245*238	
Quantity/carton	4pcs		4pcs		4pcs	
Gross weight (kg) ±0.3	15		19		19	
Installation mode	Surface mount & Suspension Mount					



Built-in Microwave Sensor with Wireless Remote Controller

- 140lm/W, 160lm/W, 190lm/W option

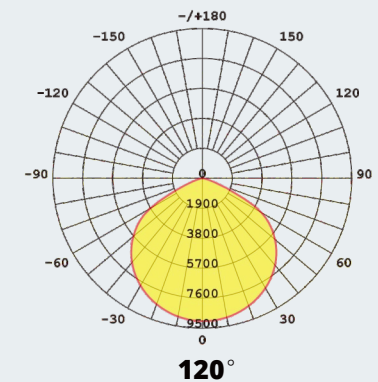
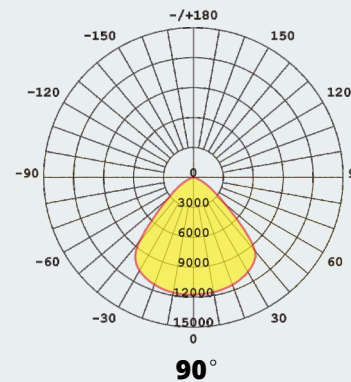
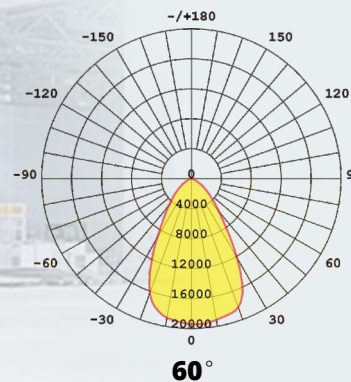
Features

- High Output, up to 140lm/W, 160lm/W, 190lm/W optional
- High CRI >70, CRI80, CRI90 optional
- UL listed Meanwell driver, High PF>0.9 low THD driver, Flicker free
- Environmentally friendly, no mercury, No UV, No IR
- 90° beam angle
- IP65 protections rating
- Energy Efficiency Grade: A+++
- Quick Start instant 100% luminous flux
- 5 Year Warranty on complete fixture. (LED's, Driver, & Housing)
- Certificate: CE, RoHS, ETL, DLC, SAA, TUV
- Body: Aluminium alloy
- Stainless steel screws
- Options: 1-10V Dimming, Microwave Sensor, Dali control



Applications

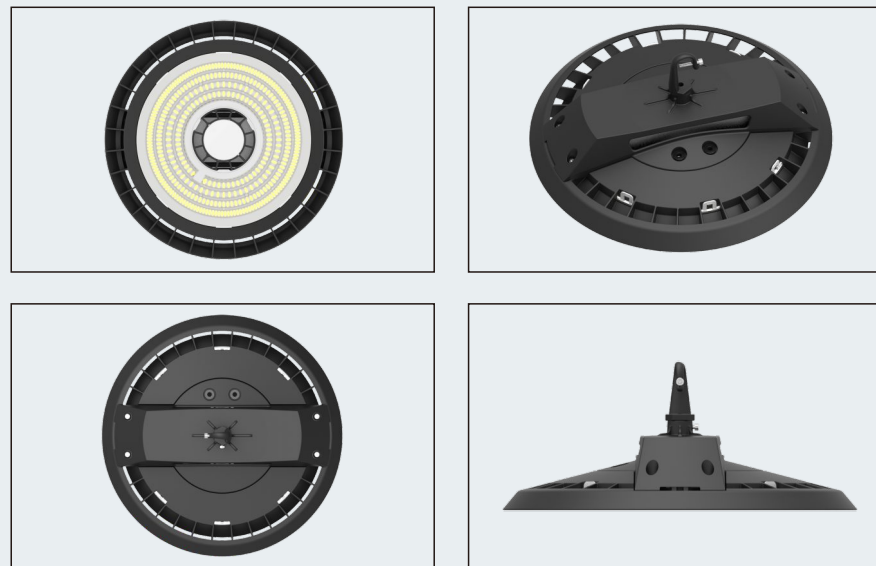
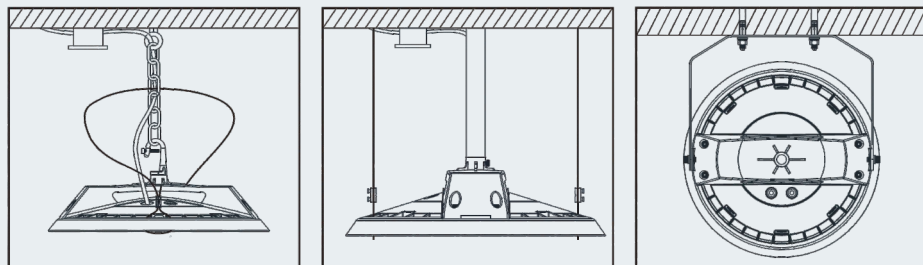
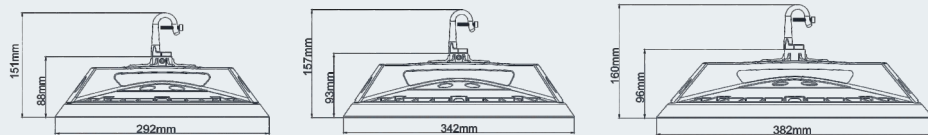
- Sports lighting
- Warehouse
- Storage



100W/150W/200W



140-190LM/W



Specifications

Product Code	TBF4-100W	TBF4-150W	TBF4-200W
Power	100W	150W	200W
Input Voltage	90-305VAC		
Input Current	0.45A	0.68A	0.91A
PF	>0.90		
Dimming(Optional)	PWM, 0-10V, Resistor, Dali		PWM, 0-10V, Resistor, Dali, Microwave
CCT	3000K/4000K/5000K/5700K		
Ra > 80 5000K	Luminous Flux	13500Lm±6%、17500Lm±6%	20250Lm±6%、26250Lm±6% 27000Lm±6%、35000Lm±6%
	Efficiency	135Lm/W±6%、175Lm±6%	
Ra > 70 5000K	Luminous Flux	14500Lm±6%、19000Lm±6%	21750Lm±6%、28500Lm±6% 29000Lm±6%、38000Lm±6%
	Efficiency	145Lm/W±6%、190Lm±6%	
LED Brand	Cree 3030		
Beam Angle	60°/ 90°/ 120°		
Operation Temp	-40°C~+45°C		
Storage Temp	-40°C~+85°C		
Life Span	45°C 50000Hours		
IP Class	IP65		
IK Class	IK10		
Certificate	ETL, CE, C-TICK, PSE, ROHS		
Lamp Body Color	Black (RAL9005)		
Product Size (mm)	292*292*151	342*342*157	382*382*160
Net weight (kg) ±0.1	2.78	3.35	4.02
Packing Size (mm)	334*145*340	384*150*390	424*150*430
Gross weight (kg) ±0.1	3.43	4.09	4.9
Installation mode	Hook\Pole\Bracket Mount		

IP69K Food Processing High Bay F10



Features

- IP69K IK10
- High Output LED's, up to 140m/W standard, 160lm/W options
- CRI >70 standard (80/90 option)
- Isolated Driver with Overheat Protection, High PF>0.9, low THD, Flicker free
- Environmentally friendly, no mercury, No UV, No IR
- 60°/90°/120° beam angle
- Energy Efficiency Grade: A+++
- Quick Start instant 100% luminous flux
- 5 Year Warranty
- Certificate: CE, RoHS
- Body: Aluminium alloy
- Options: 1-10V Dimming, DALI dimming, CLO(Constant Light Output) Driver



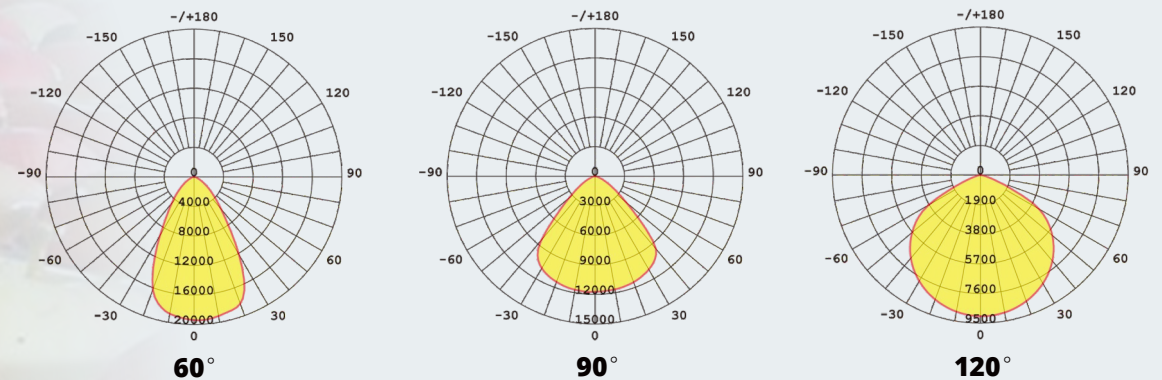
Applications

- Food Processing
- Beverage
- Garden centers
- Industrial facilities

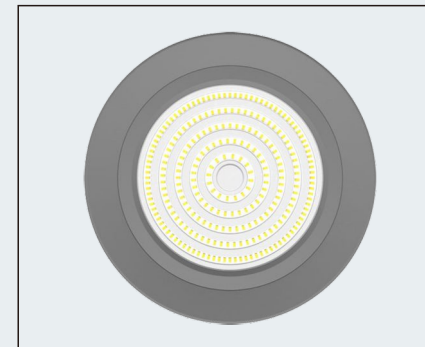
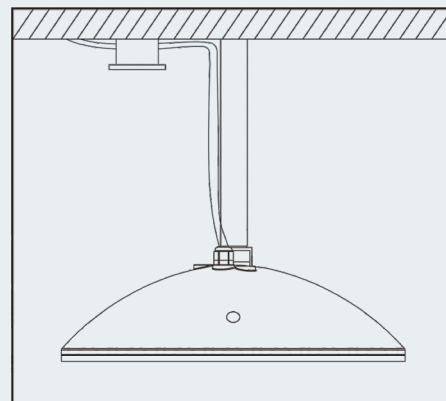
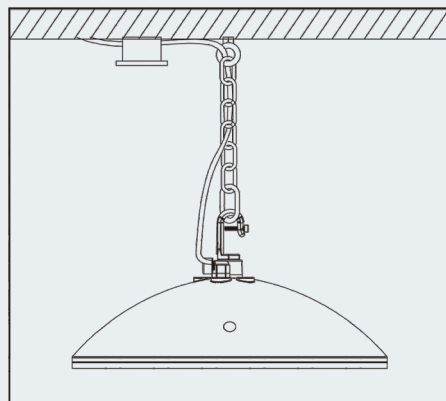
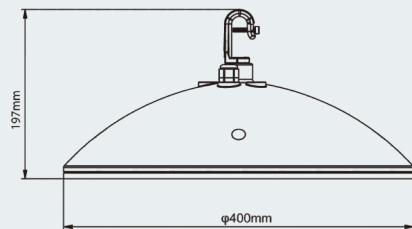


IP69K Food Processing LED High Bay

- IP69K IK10
- 100W 150W
- Against water pressure of 100bar(1450psi) and temperature of 80°C



100W/120W/150W



Specifications

Product Code	TBF10-100W	TBF10-120W	TBF10-150W	
Power	100W	120W	150W	
Input Voltage	90-305VAC			
Input Current	0.47A@220VAC	0.57A@220VAC	0.68A@220VAC	
PF	>0.9@220VAC			
Dimming	MOSO	2 in 1 dimming (PWM, 0-10V)		
Optional	MW	3 in 1 dimming (PWM, 0-10V, Resistor)Dali		
CCT	3000K/4000K/5000K/5700K			
Ra >80,5000K	Luminous Flux	14000Lm±5%	16800Lm±5%	21000Lm±5%
	Efficiency	140Lm/W±5%		
Ra >70,5000K	Luminous Flux	15000Lm±5%	18000Lm±5%	22500Lm±5%
	Efficiency	150Lm/W±5%		
LED Brand	Nichia 3030 and Cree 3030			
Beam Angle	60°/ 90°/ 120°			
Operation Temp	-40°C~+45°C			
Storage Temp	-40°C~+85°C			
Life Span	45°C 50000Hours			
IP Class	IP69K			
IK Class	IK10			
Certificate	ETL, CE, C-TICK, ROHS, NSF			
Lamp Body Color	Orange (RAL2004)、Gray (RAL9007)			
Product Size (mm)	400*400*197			
Net weight (kg) ±0.3	5.8			
Packing Size (mm)	470*470*210			
Gross weight (kg) ±0.3	6.8			
Installation mode	Hook/Pendant Mount			

High-temp Ambient High Bay F9H



Features

- Hi-temp ambient up to 65°C
- High Output LED's, up to 160lm/W
- CRI >70 standard (80/90 option)
- Driver High PF>0.9, low THD, Flicker free
- Environmentally friendly, no mercury, No UV, No IR
- 60°/90°/120° beam angle
- IP65 protections rating
- Energy Efficiency Grade: A+++
- Quick Start instant 100% luminous flux
- 5 Year Warranty
- Certificate: CE, RoHS
- Body: Aluminium alloy
- Stainless steel screws
- Options: 1-10V Dimming, DALI dimming Integrated Microwave Sensor



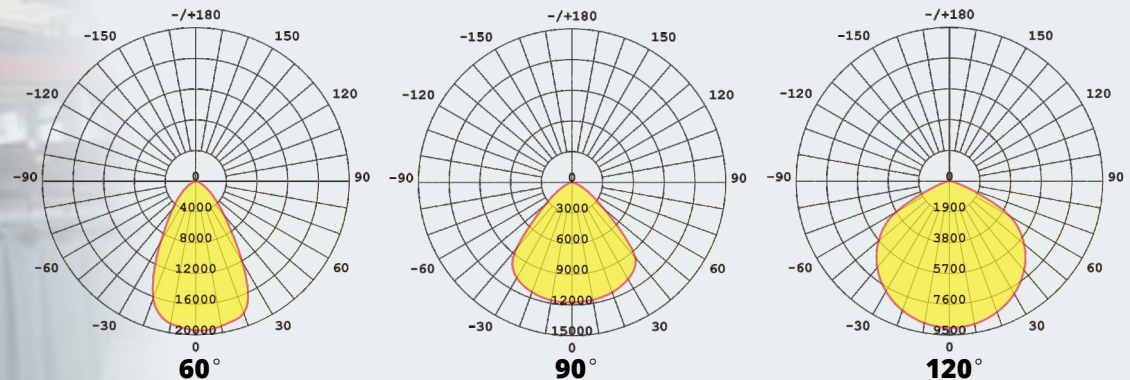
Applications

- Sports lighting
- Warehouse
- Storage
- Logistic

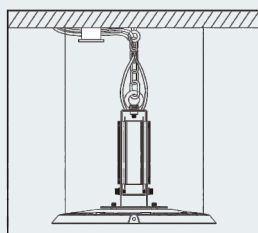


Hi-temp ambient up to 65°C

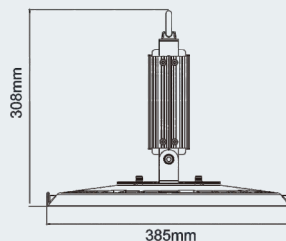
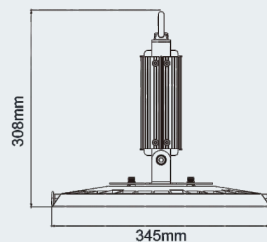
- 60° 90° 120°
- High Efficiency 160lm/W



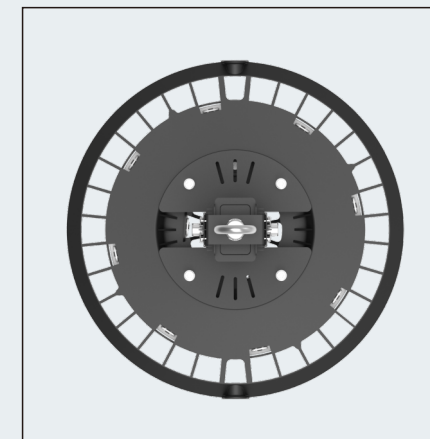
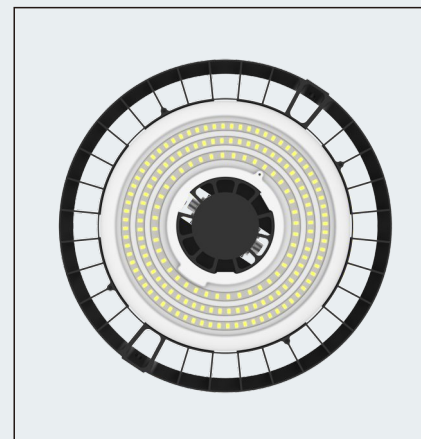
100W/150W



RAL9005



High-temp Ambient High Bay F9H



Specifications

Product Code		TBF9-100W-H	TBF9-150W-H
Power		100W	150W
Input Voltage		198-264VAC	
Input Current		0.45A@230VAC	0.68A@230VAC
PF		0.9	
Dimming(Optional)		0-10V	
CCT		3000K/4000K/5000K/5700K	
Ra >80,5000K	Luminous Flux	15000Lm ± 5%	22500Lm ± 5%
	Efficiency	150Lm/W ± 5%	
Ra >70,5000K	Luminous Flux	16000Lm ± 5%	24000Lm ± 5%
	Efficiency	160Lm/W ± 5%	
LED Brand		Cree 3030	
Beam Angle		60°/ 90°/ 120°	
Operation Temp		-40°C ~ +65°C	
Storage Temp		-40°C ~ +85°C	
Life Span		65°C 50000Hours	
IP Class		IP65	
IK Class		IK10	
Certificate		CE, C-TICK, ROHS	
Lamp Body Color		Black (RAL9005)	
Product Size (mm)		345*345*308	385*385*308
Net weight (kg) ± 0.1		3.35	3.7
Packing Size (mm)		384*152*390	424*150*430
Gross weight (kg) ± 0.1		4.1	4.5
Installation mode		Hook Mount	



Built to last

- 80W/100W/150W/200W/350W
- High Efficiency, 140lm/W
- 5 Year Warranty Guarantee

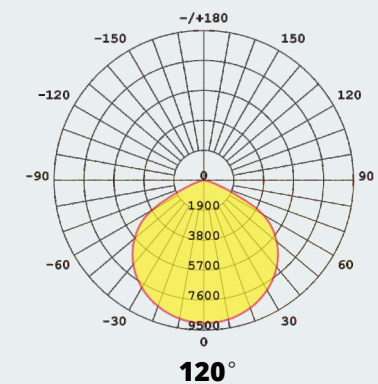
Features

- High Output, up to 140m/W
- High CRI >80
- UL listed Meanwell driver, High PF>0.9 low THD driver, Flicker free
- Environmentally friendly, no mercury, No UV, No IR
- 120° beam angle
- IP66 protections rating
- Energy Efficiency Grade: A+++
- Quick Start instant 100% luminous flux
- 5 Year Warranty on complete fixture. (LED's, Driver, & Housing)
- Certificate: CE, RoHS, ETL, DLC
- Body: Aluminium alloy
- Stainless steel screws
- Options:1-10V Dimming, Microwave Sensor, Dali control

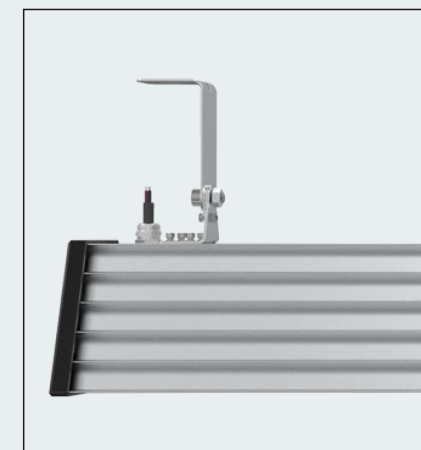
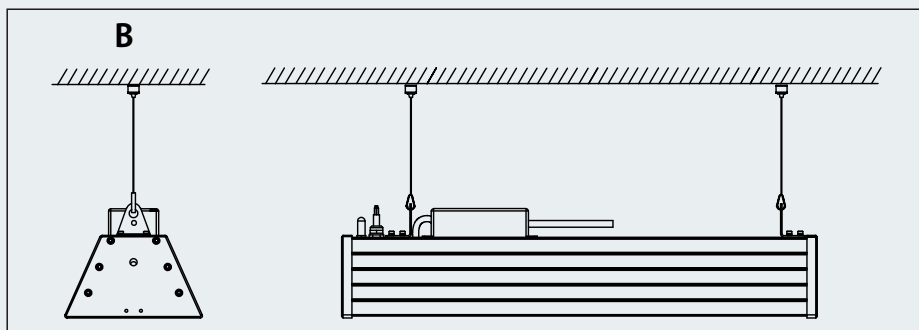
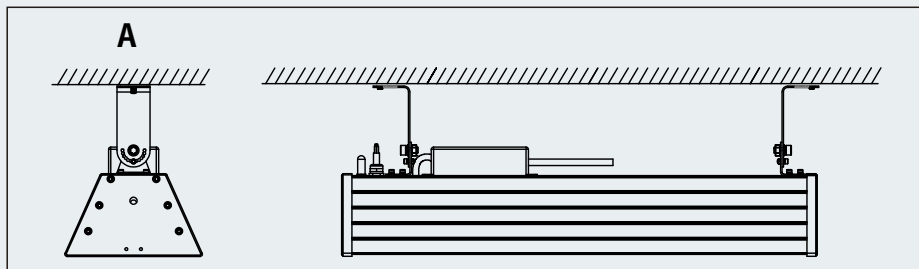
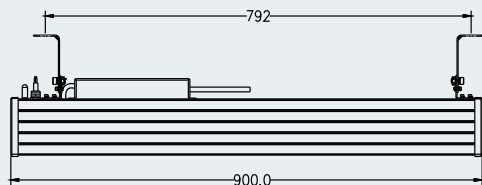


Applications

- Factories
- Airport
- Bus station
- Warehouse
- Workshops
- Supermark
- Sports Halls
- Exhibition Halls
- Badminton court



80W/100W/150W/200W/350W



Specifications

Product Code	TBHBR06-80W	TBHBR09-100W	TBHBR09-150W	TBHBR12-200W	TBHBR15-350W
Power	80W	100W	150W	200W	350W
Input Voltage	200-240VAC (50/60Hz)				
Input Current	0.37A@220VAC	0.46A@220VAC	0.67A@220VAC	0.90A@220VAC	1.60A@220VAC
PF	>0.9@220VAC				
Dimming	BOKE	2 in 1 dimming (PWM, 0-10V)			
Optional	BOKE	3 in 1 dimming (PWM, 0-10V, Resistor) Dali			
CCT	3000K/4000K/5000K/6000K				
Ra >80	Luminous Flux	11200Lm±5%	14000Lm±5%	21000Lm±5%	28000Lm±5%
	Efficiency	140Lm/W±5%			
LED Brand	Lumileds 2835 and Cree 2835				
Beam Angle	120°				
Operation Temp	-40°C~+45°C				
Storage Temp	-40°C~+85°C				
Life Span	45°C 50000Hours				
IP Class	IP66				
IK Class	IK10				
Certificate	CE, RoHS, ETL, DLC, FCC				
Lamp Body Color	Silver aluminium housing & Milky PC cover				
Product Size (mm)	600*187*112.5	900*187*112.5	1200*187*112.5	1500*187*112.5	
Packing Size (mm)	653*230*185	953*230*185	1253*230*185	1553*230*185	
Quantity/carton	1pcs	1pcs	1pcs	1pcs	
Gross weight (kg) ±0.3	6	9	12	15	
Installation mode	Surface Mount/Suspension Mount				

UGR<19 LED Linear High Bay G5



Features

- High Output LEDs, up to 130lm/W
- Glare-free UGR<19, Provides Improved Visual Comfort
- CRI >80
- Meanwell brand driver ,TUV UL CE certificate,PF>0.9, THD<12
- Flicker free
- Environmentally friendly, no mercury, No UV, No IR
- IP66, indoor use
- 5 Year Warranty on complete fixture. (LED's, Driver, & Housing)
- ETL/DLC/CE/RoHS/FCC/IP66 certified
- Pendant Mount or Surface Mount
- Hanging mount accessories included
- 1-10V Dimming, Microwave Sensor, Dali control, Zigbee Wireless Control Options



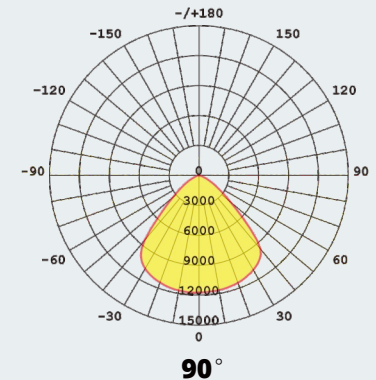
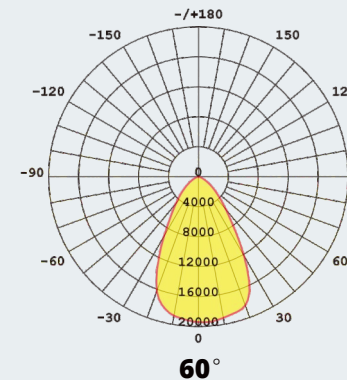
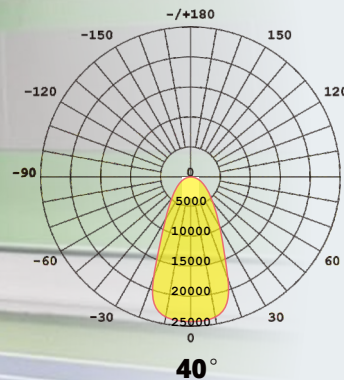
Applications

- Bus station
- Warehouse
- Airport
- Sports Halls
- Badminton court
- Workshops
- Factories
- Exhibition Halls
- Supermarket

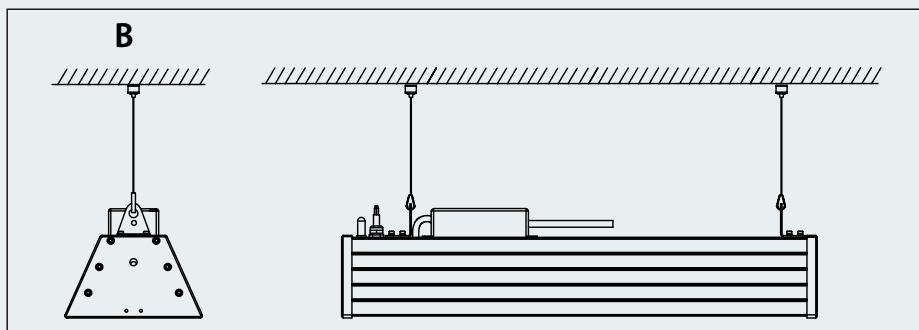
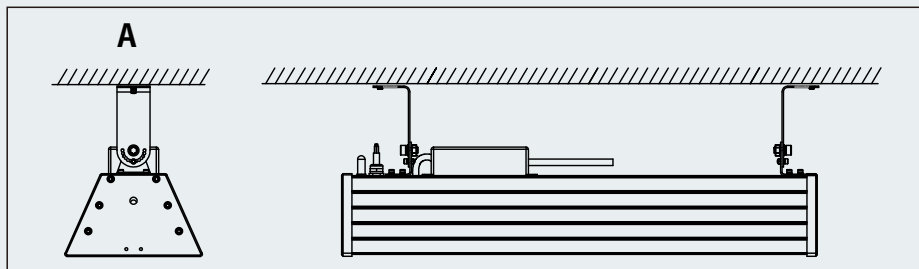
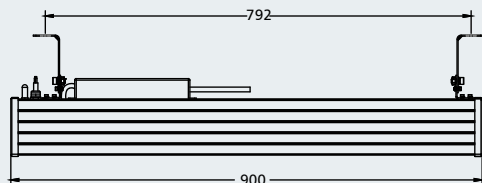
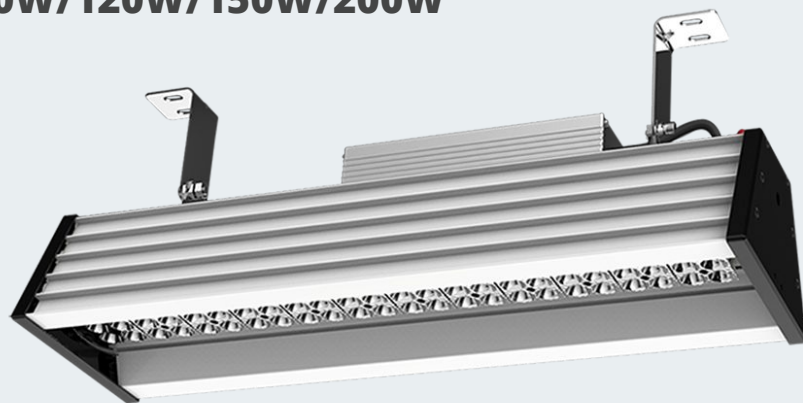


High Quality Light Output

- Glare-free UGR<19
- 130lm/w



80W/120W/150W/200W



UGR<19 LED Linear High Bay G5



Specifications

Product Code	TBG5-80W-DXG	TBG5-120W-DXG	TBG5-150W-DXG	TBG5-200W-DXG	
Power	80W	120W	150W	200W	
Input Voltage	200-240VAC (50/60Hz)				
Input Current	0.37A@220VAC	0.55A@220VAC	0.68A@220VAC	0.90A@220VAC	
PF	>0.9@220VAC				
Dimming	Meanwell	2 in 1 dimming (PWM, 0-10V)			
Optional	Meanwell	3 in 1 dimming (PWM, 0-10V, Resistor) Dali			
CCT	3000K/4000K/5000K/6000K				
Ra >80	Luminous Flux	10400Lm±5%	15600Lm±5%	19500Lm±5%	26000Lm±5%
	Efficiency	140Lm/W±5%			
LED Brand	Lumileds 2835 and Cree 2835				
Beam Angle	40° / 60° / 90°, UGR<19				
Operation Temp	-40°C~+45°C				
Storage Temp	-40°C~+85°C				
Life Span	45°C 50000Hours				
IP Class	IP66				
IK Class	IK10				
Certificate	CE, RoHS, ETL, DLC, FCC				
Lamp Body Color	Silver aluminium housing & Milky PC cover				
Product Size (mm)	600*187*112.5	900*187*112.5	1200*187*112.5	1500*187*112.5	
Packing Size (mm)	653*230*185	953*230*185	1253*230*185	1553*230*185	
Quantity/carton	1pcs	1pcs	1pcs	1pcs	
Gross weight (kg) ±0.3	6	9	12	15	
Installation mode	Surface Mount/Suspension Mount				



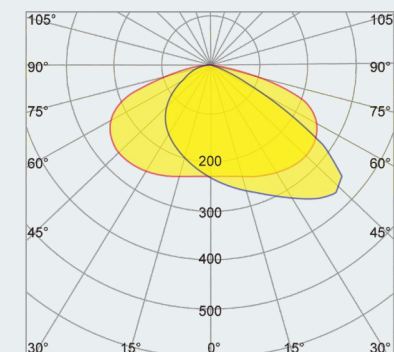
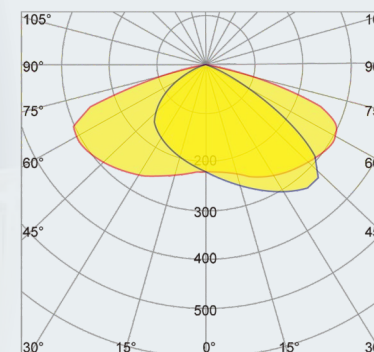
Features

- High Output LEDs, up to 130~140lm/W
- Maintenance flap for quick access to the driver compartment
- Excellent heat dissipation and modern design
- Slim and compact profile for maximum wind resistance
- Circuit interrupter for maintenance access
- Adjustable installation angle
- IP66 for all weather condition
- Daylight sensor and motion sensor available
- 3pin, 5pin, 7pin NEMA base
- Corrosion-resistant coating for seaside application
- Electrical disconnecter
- Optional 20KV Surge Protection upgrade
- 5 years warranty



Applications

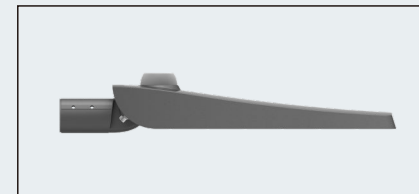
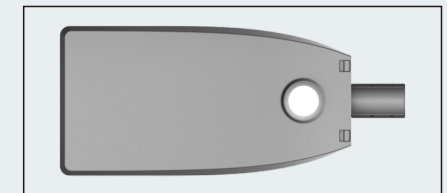
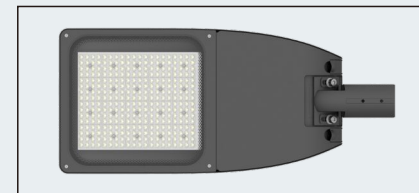
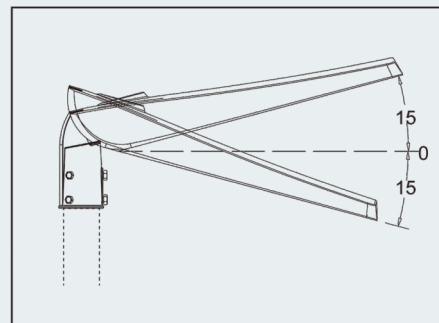
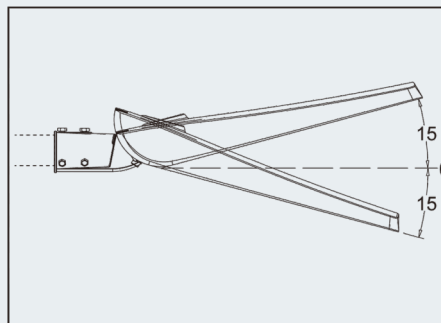
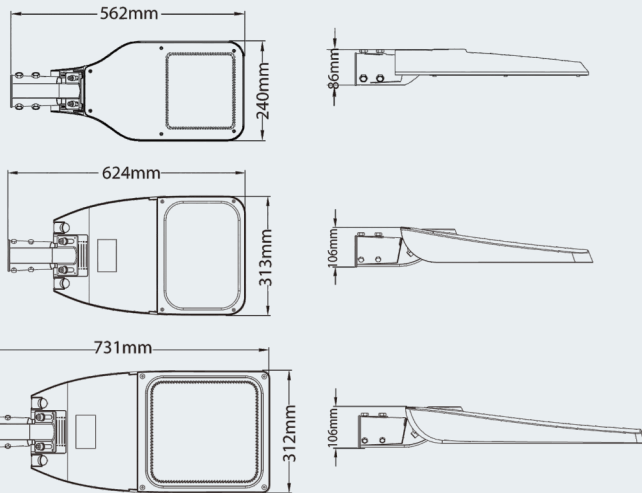
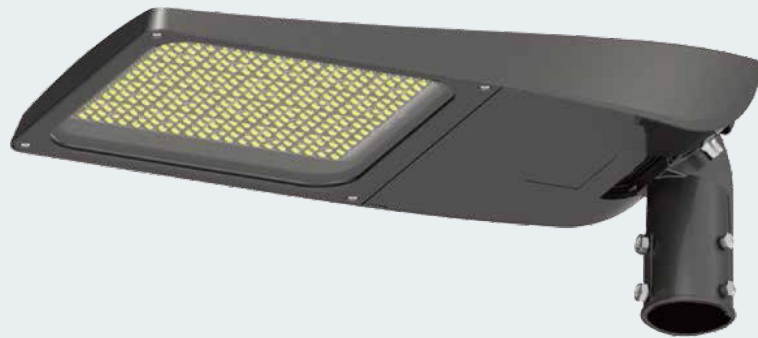
- Sports lighting
- Warehouse
- Road Lighting
- Storage
- Billboard
- Any outdoor application



SMART LED STREET LIGHT

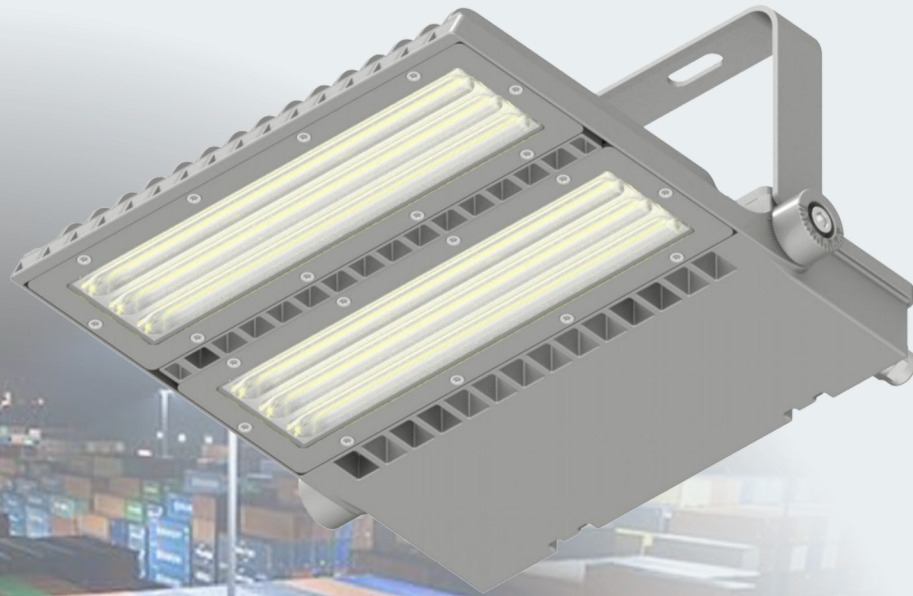
- Modern Design
- Effective
- Dimmable
- Remotely Controllable option

28W~180W



Product Specification

Product Code		TBSL-28/38/45/55/65W	TBSL-75/90/105/120W	TBSL-130/150/160/180W
Power		28/38/45/55/65W	75/90/105/120W	130/150/160/180W
Input Voltage		198-264VAC 50/60Hz		
Input Current		0.13/0.27A	0.41A	0.55/0.69/0.82A
PF		>0.95		
Control	PHILIPS	Photo cell, Zigbee, NB-IoT		
CCT		3000K/4000K/5000K/5700K		
Ra >80,5000K	Luminous Flux	3920/5320/6300 7700/9100Lm±10%	10500/12600/ 14700/16800Lm±10%	18900/21000/ 22400/25200Lm±10%
	Efficiency	140Lm/W±10%		
LED Brand		LUMILEDS, CREE		
Beam Angle		ME1~ME5		
Operation Temp		-40°C~+50°C		
Storage Temp		-40°C~+85°C		
Life Span		50000Hours@L70		
IP Class		IP66		
IK Class		IK08		
Certificate		CE, CB, ENEC, ROHS		
Lamp Body Color		RAL7024		
Product Size (mm)		562*240*86	624*313*106	731*312*106
Net weight (kg) ±0.3		4.3	6.0	7.8
Packing Size (mm)		631*318*169	700*390*190	800*390*190
Gross weight (kg) ±0.3		5.5	7.2	9.0
Installation mode		Pendant Mount		



Features

- High Output LEDs, up to 130~140lm/W
- Meanwell driver, High PF>0.96 low THD driver, Flicker free
- Environmentally friendly, no mercury, No UV, No IR
- 4 Different Beam angle cover 90% application
- ANB: 32°x 84° Tilt 30° /AWB: 50°x 88° Tilt 45° /SNB: 25°x 75°/SWB: 36°x 88°
- IP66 protection rating ; for indoor & outdoor use
- Energy Efficiency Grade: A+++
- Quick Start instant 100% luminous flux
- 5 Year Warranty on complete fixture. (LED's, Driver, & Housing)
- Certificate: CE, RoHS
- Body: Aluminium alloy
- Stainless steel screws
- Options: 1-10V / Dali



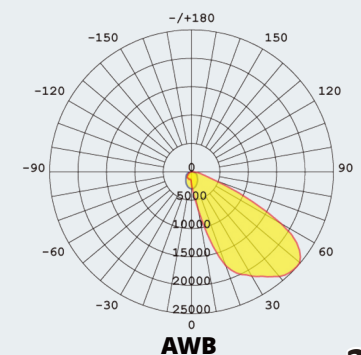
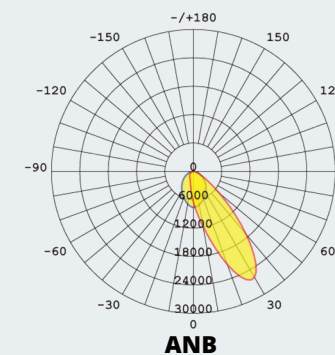
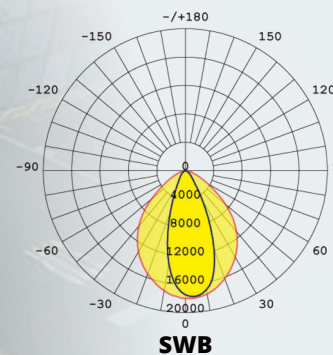
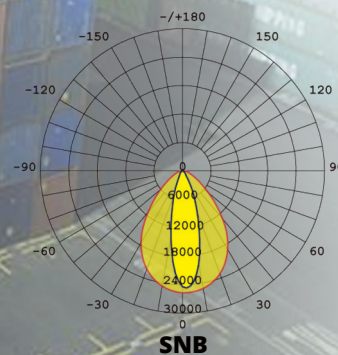
Applications

- Storage
- Sports lighting
- Warehouse
- Billboard
- Road Lighting
- Any outdoor application

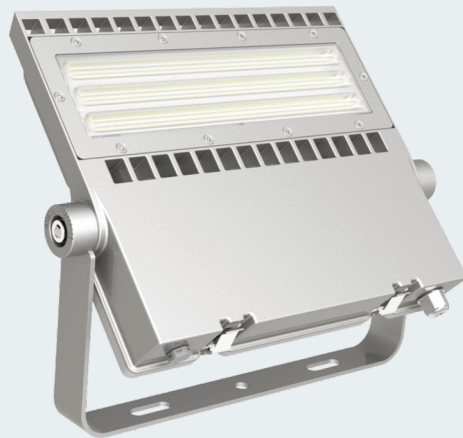


Professional LED Area Light for the Sports field, Harbour, Billboard

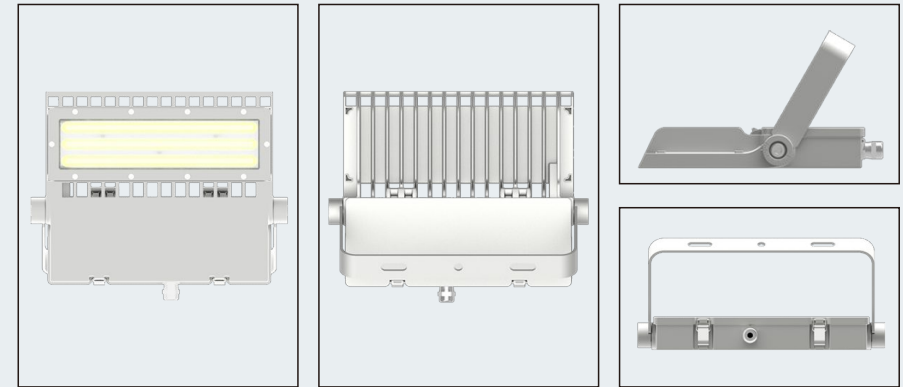
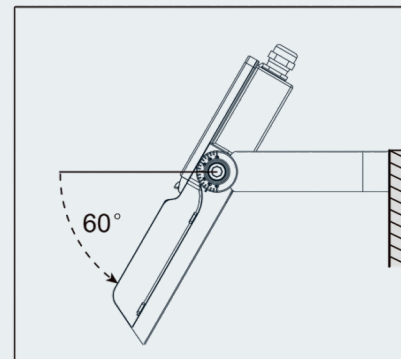
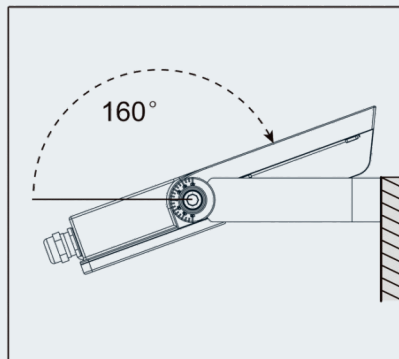
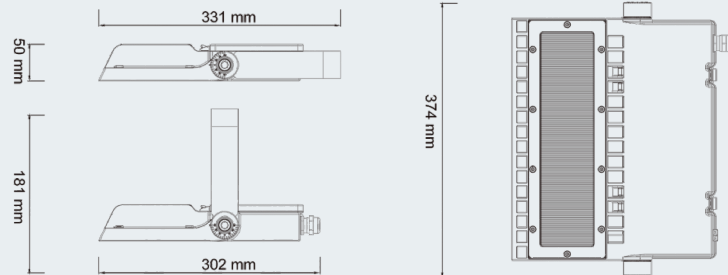
- Salt-Spray resistant
- Particular Optical lens with accurate angles



75W/100W/150W



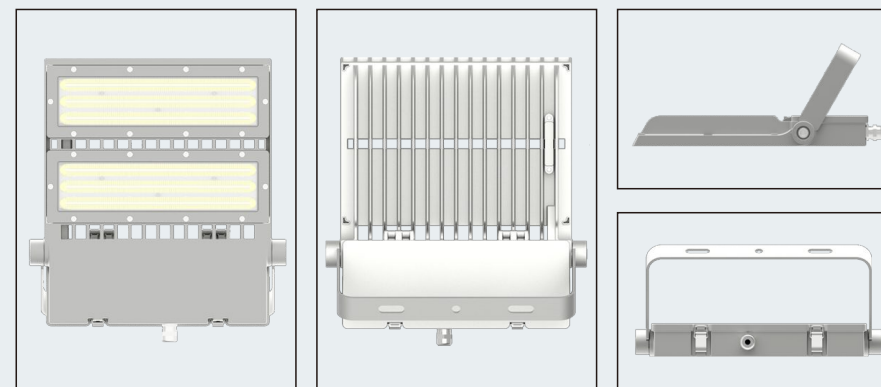
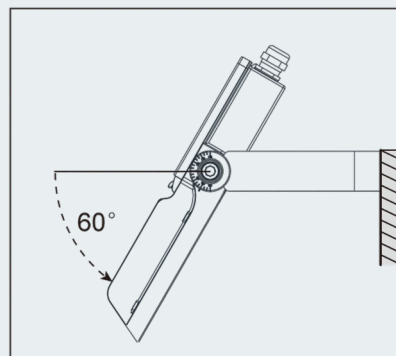
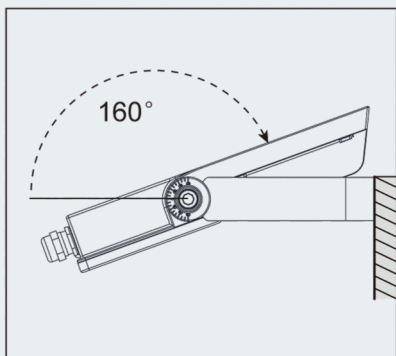
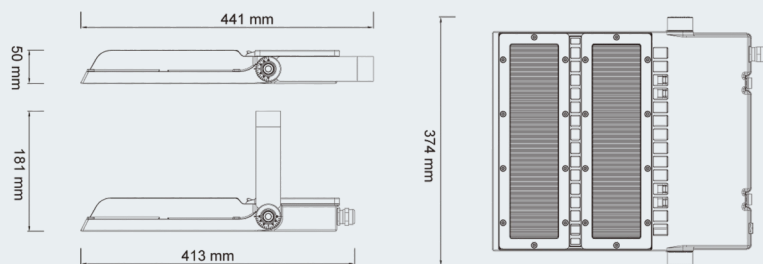
 RAL9007
 RAL9005



Product Specification

Product Code	TB-AL-75W	TB-AL-100W	TB-AL-150W
Power	75W	100W	150W
Input Voltage	90-305VAC		
Input Current	0.34A@220VAC	0.45A@220VAC	0.68A@220VAC
PF	>0.90@220VAC		
DC output voltage	48V		
DC output current	1.4A	1.9A	2.9A
Dimming(Optional)	3 in 1 dimming (PWM, 0-10V, Resistor)、Dali		
CCT	3000K/4000K/5000K/5700K		
Ra > 80,5000K	Luminous Flux	9750Lm±10%	13000Lm±10%
	Efficiency	130Lm/W±10%	
Ra > 70,5000K	Luminous Flux	10500Lm±10%	14000Lm±10%
	Efficiency	140Lm/W±10%	
LED Brand	Nichia 3030		
Light type	Asymmetric and symmetric light		
Operation Temp	-40°C~+45°C		
Storage Temp	-40°C~+85°C		
Life Span	45°C 50000Hours		
IP Class	IP66		
IK Class	IK10		
Certificate	CE, ROHS		
Lamp Body Color	Gray(default with RAL9007) 、 Black(optional for RAL9005)		
Product Size (mm)	331*374*50		
Net weight (kg) ±0.1	4.58	4.63	4.76
Packing Size (mm)	430*370*76		
Gross weight (kg) ±0.1	4.98	5.03	5.16
Total Size (mm) (2pcs)	445*328*390		
Total weight (2pcs) ±0.2	20.68	20.88	21.4
Installation mode	Bracket Mount		

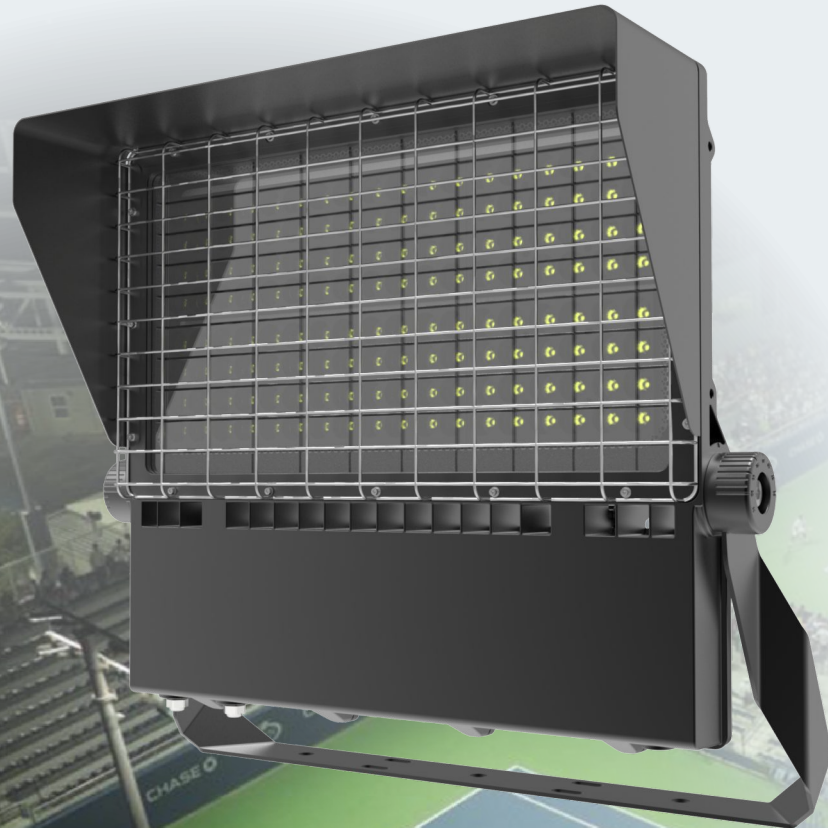
200W/240W



Product Specification

Product Code	TB-AL-200W	TB-AL-240W
Power	200W	240W
Input Voltage	90-305VAC	
Input Current	0.91A@220VAC	1.10A@220VAC
PF	> 0.90@220VAC	
DC output voltage	48V	
DC output current	3.9A	4.65A
Dimming(Optional)	3 in 1 dimming (PWM, 0-10V, Resistor), Dali	
CCT	3000K/4000K/5000K/5700K	
Ra > 80,5000K	Luminous Flux	26000Lm±10%
	Efficiency	130Lm/W±10%
Ra > 70,5000K	Luminous Flux	28000Lm±10%
	Efficiency	140Lm/W±10%
LED Brand	Nichia 3030	
Light type	Asymmetric and symmetric light	
Operation Temp	-40°C~+45°C	
Storage Temp	-40°C~+85°C	
Life Span	45°C 50000Hours	
IP Class	IP66	
IK Class	IK10	
Certificate	CE, RoHS	
Lamp Body Color	Gray(default with RAL9007)、Black(optional for RAL9005)	
Product Size (mm)	441*374*50	
Net weight (kg) ±0.1	6.37	
Packing Size (mm)	500*415*76	
Gross weight (kg) ±0.1	6.84	
Total Size (mm) (2pcs)	520*170*440	
Total weight (2pcs) ±0.2	14.43	
Installation mode	Bracket Mount	

LED Sports & High Mast Flood Light



The HIGH MAST Heavy-Duty LED Light

optimises the latest from TUBU's LED lighting technology to deliver the most powerful and robust flood light for heavy industrial applications.

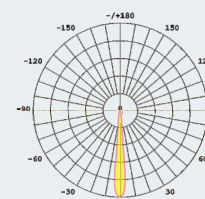
Features

- High Output LED's, up to 100~150lm/W
- Meanwell/Inventronics driver, High PF>0.9 low THD driver, Flicker free
- Environmentally friendly, no mercury, No UV, No IR
- 11° / 15° / 24° / 36° / AWB / ANB Beam angle
- IP66 protection rating ; for indoor & outdoor use
- Energy Efficiency Grade: A+++
- Quick Start instant 100% luminous flux
- 5 Year Warranty on complete fixture. (LED's, Driver, & Housing)
- Certificate: CE, RoHS
- Body: Aluminium alloy
- Stainless steel screws
- Options: 1-10V/Dali

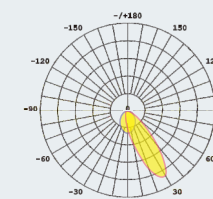


Applications

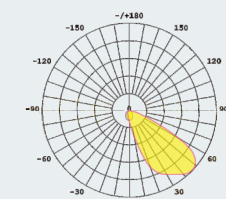
- High Mast
- Stock Piles
- Sports Grounds
- Crushers
- Workshops
- Golf Courses
- Loading Docks
- Ports/Wharf



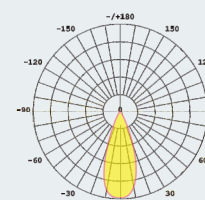
10°



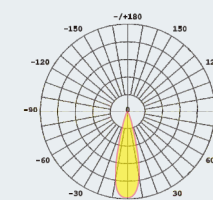
ANB



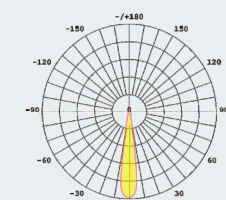
AWB



36°



24°

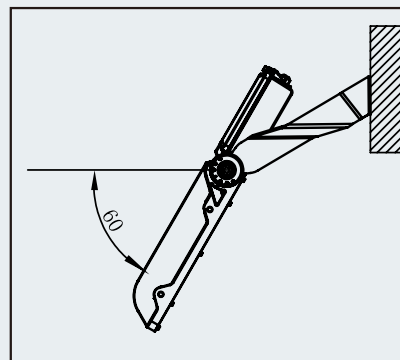
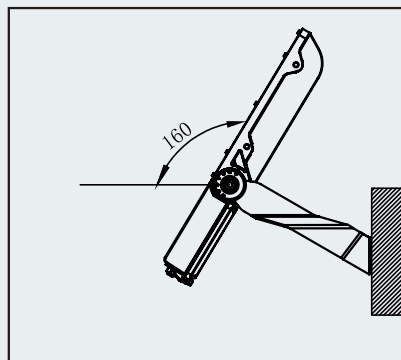
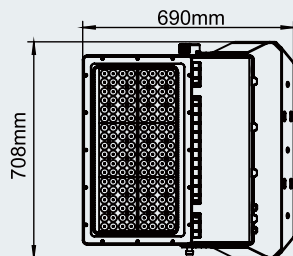
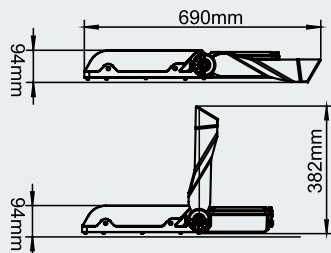


15°

350W/500W/600W



RAL9005



Product Specification

Product Code		TBHM-350W	TBHM-500W	TBHM-600W
Power		350W	500W	600W
Input Voltage		90-305VAC/200-480VAC		
Input Current		1.59A@220VAC	2.27A@220VAC	2.73A@220VAC
PF		>0.90@220VAC		
Dimming(Optional)		3 in 1 dimming (PWM, 0-10V, Resistor)、Dali		
CCT		2700K-6500K		
Ra >80,5000K	Luminous Flux	35000-52500Lm±10%	50000-75000Lm±10%	60000-90000Lm±10%
Ra >70,5000K	Efficiency	100-150Lm/W±10%		
LED Brand		Nichia, Cree		
Light type		10°, 15°, 24°, 36°, ANB, AWB		
Operation Temp.		-40°C~+55°C		
Storage Temp.		-40°C~+85°C		
Life Span		45°C L70>100000Hours(LED)		
IP Class		IP66		
IK Class		IK08		
Certificate		ETL, CE, CB, C-TICK, ROHS		
Lamp Body Color		Black (RAL9005)		
Product Size (mm)		690*708*94		
Net weight (kg) ±0.3		23		
Packing Size (mm)		800*800*150		
Gross weight (kg) ±0.3		25.6		
Installation mode		Bracket Mount		



ADD

Building C
Hankun Hi-tech Industrial Zone
Longteng Road
Pingdi, Longgang
Shenzhen

TEL

Sales Office: +86-755-28261690
Factory: +86-755-84615006

FAX

86-755-89705543

Email

sales@tu-bu.com

WEBSITE

www.tu-bu.com

