

NEW

USER MANUAL

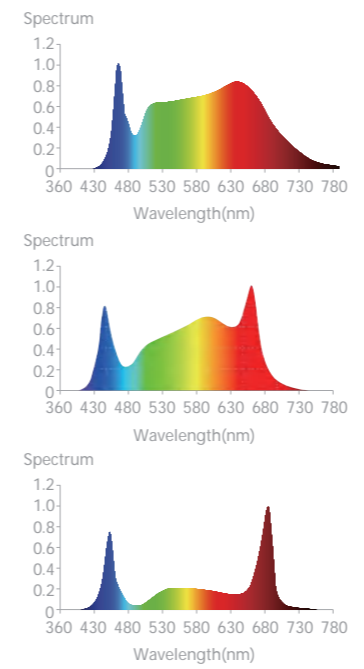


TUBU Plant Grow Light High Efficiency/Dimmable/Reliable

PGL Series
经典版植物灯

www.tu-bu.com

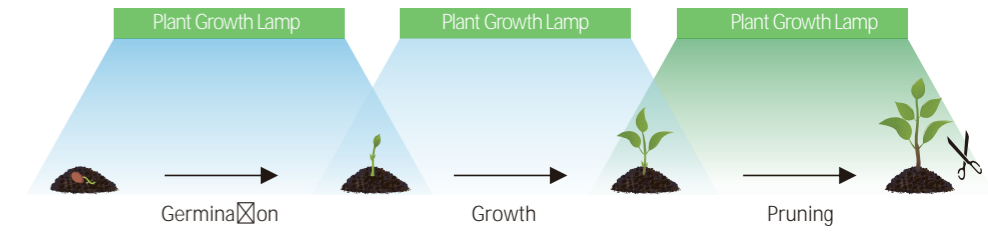
GLUFO TUBU



1. Product Specification

| Product Name | TUBU Plant Grow Light (GLUFO-200W) | | |
|----------------------------|------------------------------------|-----------------------------|----------------------------------|
| Solution | Full Spectrum (4000K) | White +660NM | Blue + Cold white +660NM |
| Power(W) | 200W (DIP switch 150W/100W) | 200W(DIP switch 150W/100W) | 200W(DIP switch 150W/100W) |
| Size(MM) | 300*97MM (No hanging loop) | | |
| Eff(PPF) μmol/s/W (μmol/J) | 2.6μmol/s/W | 2.6μmol/s/W | 2.6μmol/s/W |
| Dimmable | 0-10V | 0-10V | 0-10V |
| Certification | / | / | / |
| CRI | >95 | N/A | N/A |
| LED Qty | 602PCS | | |
| Voltage(V) | 100-277VAC | 100-277VAC | 100-277VAC |
| PF | >0.9 | >0.9 | >0.9 |
| CCT (K) | 4000K | White +660NM (Red) | Blue (450NM) +White + Red(660NM) |
| Beam Angle(°) | 90 | 90 | 90 |
| IP | 65 | 65 | 65 |
| Material | ADC12+PC | ADC12+PC | ADC12+PC |
| Color | Black | Black | Black |
| Warranty | 3 | 3 | 3 |
| Packing Size (mm) | 355x355x124mm | | |
| Net Weight(kg) | 2.25 | | |
| Gross Weight(kg) | 3.0 | | |

2. Usage Scenario

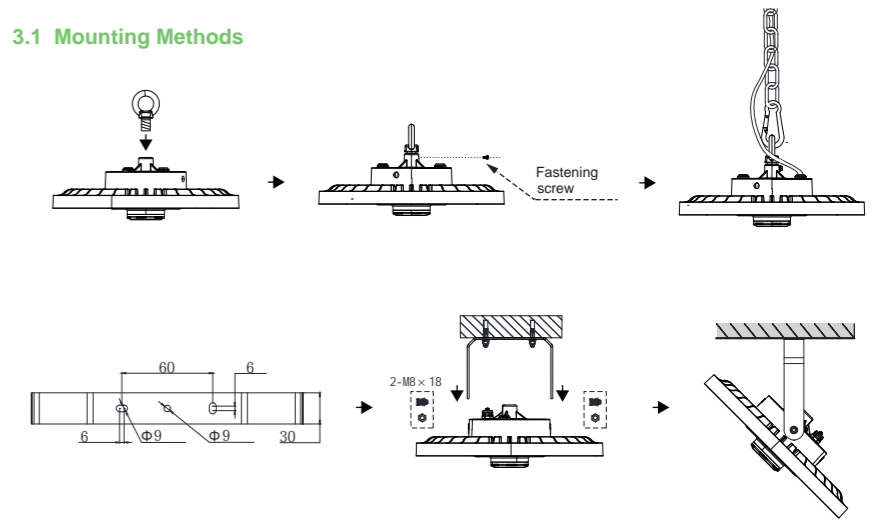


- The rate of photosynthesis and transpiration are directly affected by temperature, humidity and air flow.
- The perfect temperature and humidity for your plants are found between 75-85 °F and 50%-70% humidity, with plenty of airflow to replenish CO2. PH is 6-6.5. You may add more calcium and magnesium than normally needed.

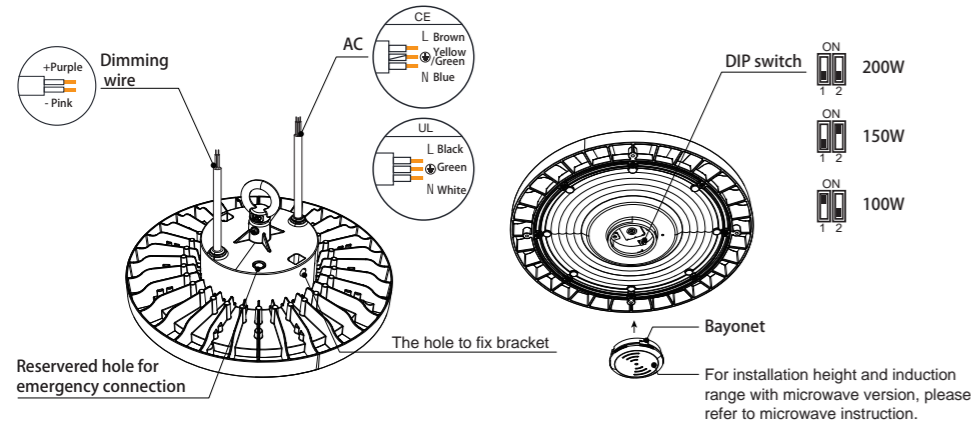
3. Assembly Instructions

-Hook and Bracket Mounting

3.1 Mounting Methods

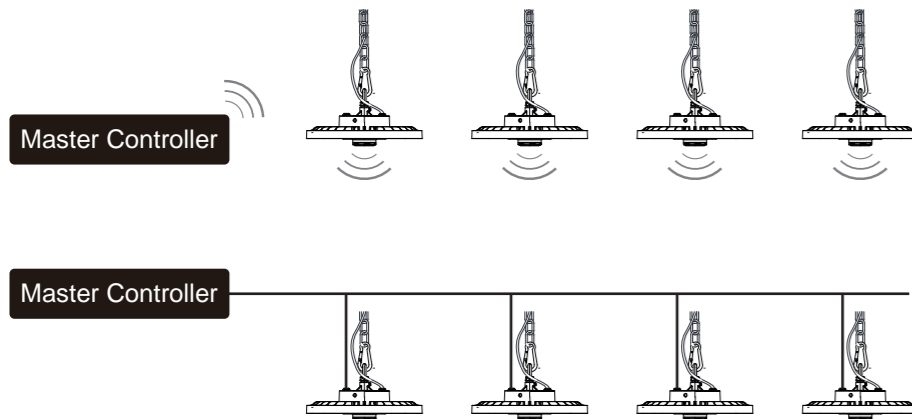


3.2 Wiring diagram



4. Variable Optical

Available to connect with wireless or wired dimming technology



0-100% dimmable function makes it be able to take care of each growth stage of different plants more scientifically

5. Important Safety Precautions

Please read the manual thoroughly before attempting to install or operate Grow Light and keep it for future reference.
 Use only the received plug to connect the lamp to the power source with appropriate voltage. Protect power cables from being pinched or damaged, especially where the power cable enters the power outlet and the unit.
 If the provided plug does not fit your socket, please contact us for help by email immediately. Please do not replace the power cord or plug by yourself, otherwise we are not responsible for man-made damages.
 The system should only be cleaned as directed in the manual. You should seek service by qualified service personnel if any of the following occur

- 1.The power-supply cord or the plug has been damaged;
- 2.The unit has been exposed to rain;
- 3.The unit exhibits a marked change in performance;
- 4.The unit has been dropped, or its enclosure or chassis is damaged.

6. General Care

-Grow lights are passively cooled with zero moving components. They are designed for harsh environments and years of maintenance-free performance. Some basic care will keep your lights working at peak performance cycle-after-cycle.
 -Natural convection removes heat away from the heat sink. In order to properly cool itself, at least one inch of space is required between the fixture and the roof of your grow area. Failure to do so may shorten the fixture's lifespan.
 -To achieve the optimal lifespan and performance of your fixtures, routinely check for and remove excess dust, debris, and mineral build up from heat sink and LED array. Cleaning should always be done with the fixture or using low-pressure compressed air with unplugged from its power source.

7. Caution

-In summer or other hot environment, please use a cooling fan to keep a suitable temperature for your plants.

8. Warning

-Do NOT touch while in operation.
 -To prevent eye damage, avoid looking directly at the LEDs.
 -To reduce the risk of overheating or fire, always allow for adequate ventilation of fixtures and power supplies.

- Read through this manual before installation.
- Handle the product with care.
- The product must be grounded.
- This product must be installed and maintained by certified electrician.
- Consult with the manufacturer before maintenance.
- Turn OFF the power before installation and maintenance.
- Make sure the products are securely installed.
- The housing might become hot after operation.
- Primary use: auxiliary lamp used to promote plant growth and maturity.
- Make sure the construction is strong enough to support the products.
- The product will automatically turn to 50% brightness once the temperature goes too high(temperature on driver box >85°) ; and will automatically turn on once it cools down(<45°) .
- The external flexible cable or cord of this luminaire cannot be replaced; if the cord is damaged, the luminaire shall be destroyed.