

# IP65 LED Tri-proof Light L18



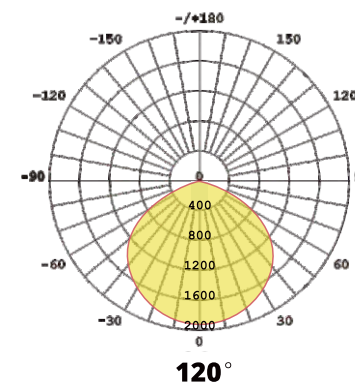
## Features

- IP65
- PMMA IK08/PC IK10
- System efficiency up to 130lm/W & 150lm/W
- High CRI >80
- Environmentally friendly, no mercury, No UV, No IR
- Wide beam angle 120°
- Energy Efficiency Grade: A+
- Quick Start instant 100% luminous flux
- 5 Year Warranty on complete fixture. (LED's, Driver, & Housing)
- Certificate: CE, RoHS Certified
- Surface Mount or Suspension Mount



## Applications

- Car Parking
- Warehouse
- Production area
- Any indoor application



**IP65 LED Tri-proof Light L18**

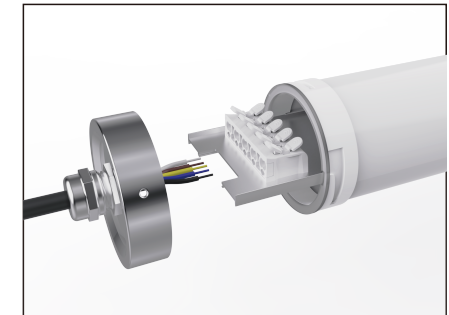
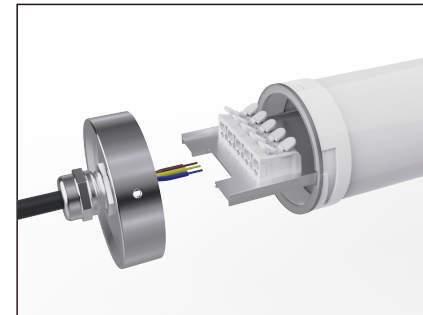
- PC IK10/PMMA IK08
- 130lm/W & 150lm/W



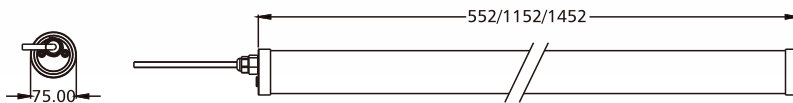
20W/40W/50W/60W



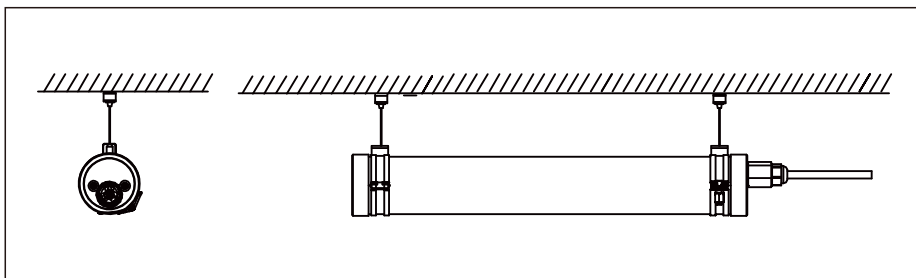
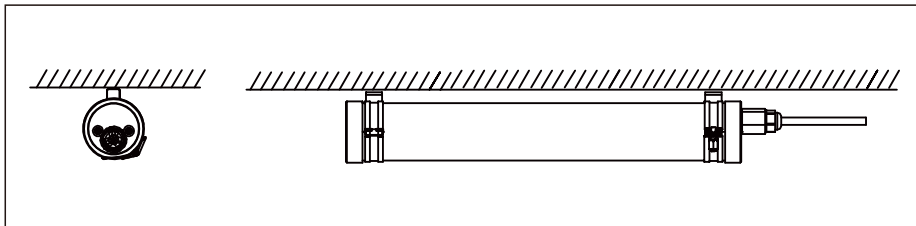
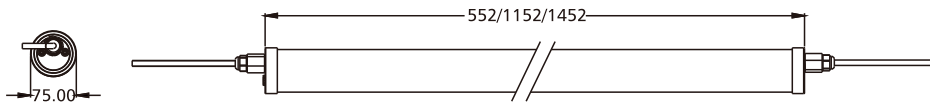
# IP65 LED Tri-proof Light L18



Single installation



Linkable Installation



## Specifications

<b>Product Code</b>		TBL182F-20W	TBL184F-40W	TBL185F-60W
<b>Power</b>		20W	40W	60W
<b>Wattage Adjustable</b>		13/16/20W	25/30/35/40W	40/50/60W
<b>Input Voltage</b>		200-240VAC/100-277VAC (50/60HZ)		
<b>Input Current</b>		0.09A@220VAC	0.19A@220VAC	0.28A@220VAC
<b>PF</b>		0.90@220VAC		
<b>Dimming Option</b>		0-10V/Dali		
<b>CCT</b>		3000K/4000K/5000K/6000K		
<b>Ra &gt; 80</b>	<b>Luminous Flux</b>	2600Lm±5%	5200Lm±5%	7800Lm±5%
	<b>Efficiency</b>	130Lm/W±5%		
<b>Ra &gt; 80</b>	<b>Luminous Flux</b>	3000Lm/W±5%	6000Lm/W±5%	9000Lm/W±5%
	<b>Efficiency</b>	150Lm/W±5%		
<b>LED Brand</b>		Lumileds/Hongli 2835		
<b>Beam Angle</b>		120°		
<b>Operation Temp</b>		-20 C ~ +40 C		
<b>Storage Temp</b>		-20 C ~ +60 C		
<b>Life Span</b>		Ta 40 C L70>54000Hours		
<b>IP Class</b>		IP65		
<b>IK Class</b>		PMMA IK08/PC IK10		
<b>Certificate</b>		CE, RoHs		
<b>Material</b>		PC/PMMA Housing & 304/316 Stainless Steel End Caps		
<b>Product Size (mm)</b>		∅ 75*552	∅ 75*1152	∅ 75*1452
<b>Packing Size (mm)</b>		730*260*260	1330*260*180	1630*260*180
<b>Quantity/carton</b>		9PCS	6PCS	6PCS
<b>Gross weight (kg) ±0.3</b>		12	15	23
<b>Installation mode</b>		Surface Mount/Suspension Mount		