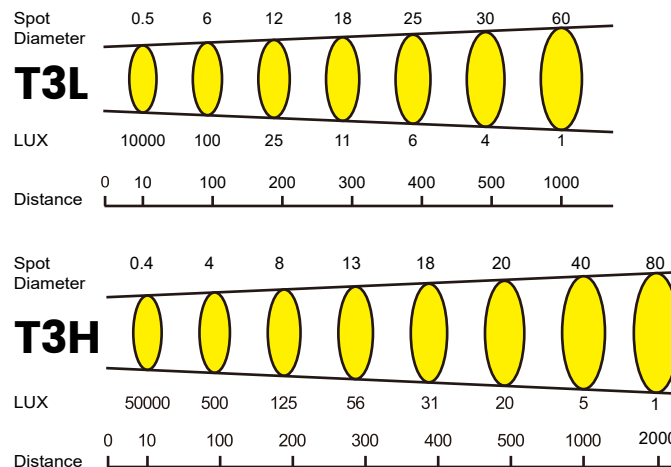
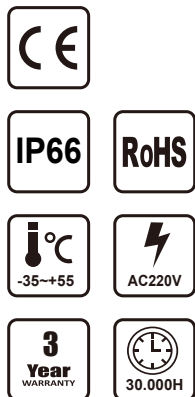


## Features

- Protection class: Lighting IP66, Cloud Platform IP65
- Power: 240W available, 60W Cloud Platform
- Irradiation distance: T3L  $\geq 1000M$  (1LUX), T3H  $\geq 2000M$  (1LUX)
- Beam angle: 3.5° / 2.5°
- Slip-rings provide continuous 360° horizontal rotation with no stop points
- Auto-return to home position
- Auto-scan with user programmability
- Advanced proportional-speed control
- Approved for temperatures down to -40°C and up to +55°C
- Materials: marine grade aluminum and stainless steel with salt-resistant powder coat finish
- Lower power consumption: LED's consume 75% or more less power than Halogen lamps
- Longer life: LED's last tens-of-thousands of hours compared to approximately 1000 to 2000 hours depending upon the Halogen lamp. This reduces lamp replacement costs, increases reliability



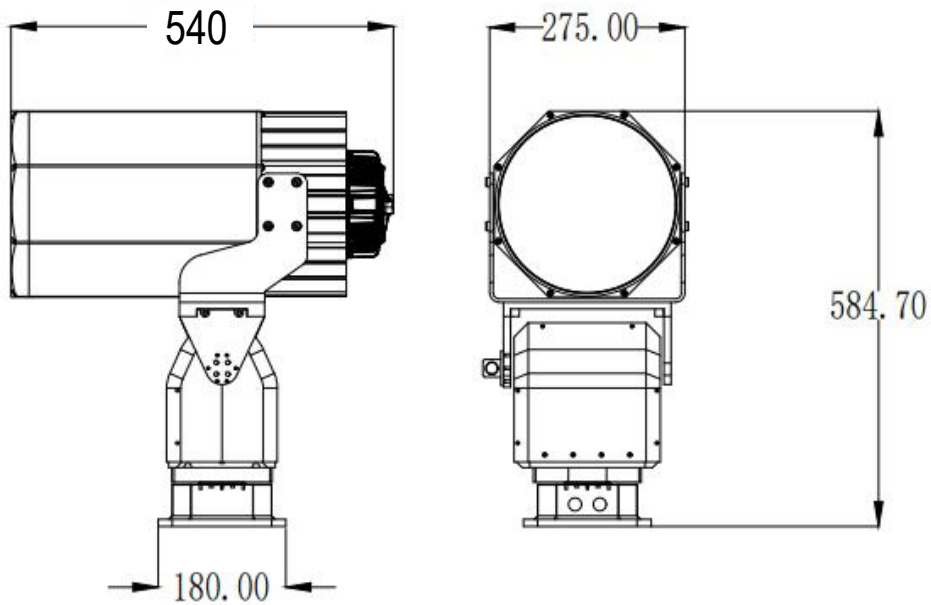
## Applications

- National defense
- Marine
- Military
- Water conservation
- Expedition and oil field
- Wharf
- Large surface warship
- Maritime search and rescue





## Specifications



Model	TBSL-T3L-300E-BSX	TBSL-T3H-300E-BSX	
Light Information	Light Source	LED	LED
	Power Consumption	240W+60W	240W+60W
	Color Temperature	4500K	
	Input Voltage	AC220V (50/60Hz)	
	Operating Temperature	-40°C ~ +55°C	
	IP Rating	Lighting IP66, Cloud Platform IP65	
	Lifespan	Light: 3 years; Adjustable Based: 1 year	
	Beam Angle	3.5	2.5°
	Beam Distance	≥1000m(1LUX), ≥2000m(0.25LUX)	≥2000m(1LUX), ≥4000m(0.25LUX)
	Housing Material	1070 Pure aluminum cold forging, with salt-resistant, scratch-resistant white powder coat finish	
Packing Size (mm)	600*500*800mm(wooden box package)		
Weight	40Kg		
Cloud Platform (Optional)	Adjustable Speed	Horizontal: 0.1° ~ 20°/S, vertical 0.1° ~ 5°/S	
	Adjustable Angle	Horizontal: 0~360°, vertical +35° ~ -35°, or customizable	
	Preset Position	200pcs	
	Repeated Positioning Accuracy	±0.1°	
	Communication Protocol	Protocols:ONVIF,GB/T28181compliance	
	Communication Baud Bate	2400 / 4800 / 9600 / 19200bps(optional)	
	Communication Interface	RS485 / RS422 / LAN	
Power	60W		