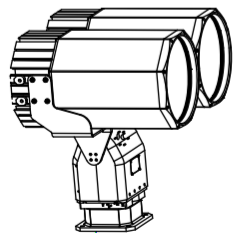


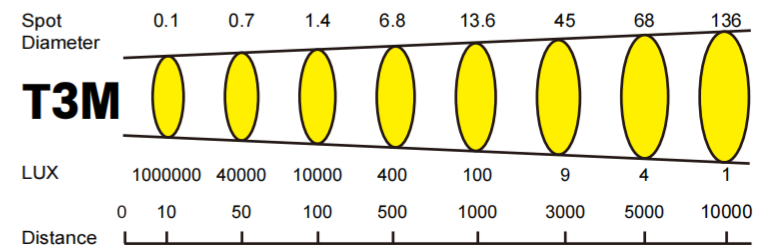
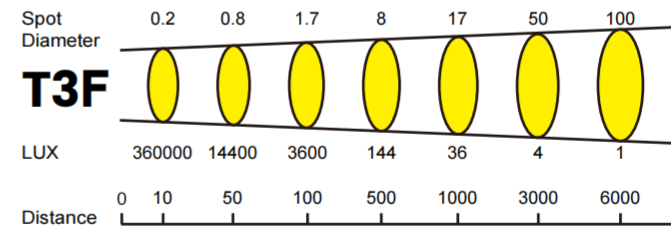
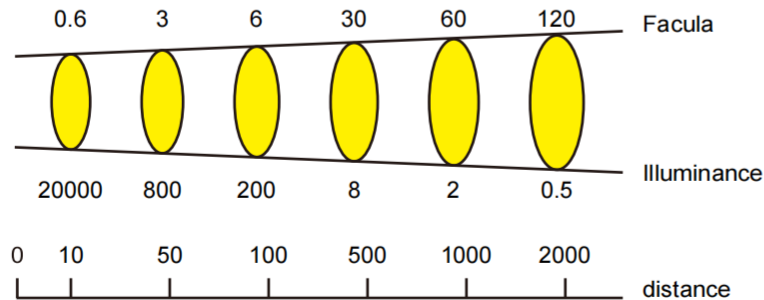
# Dual Head LED Searchlight

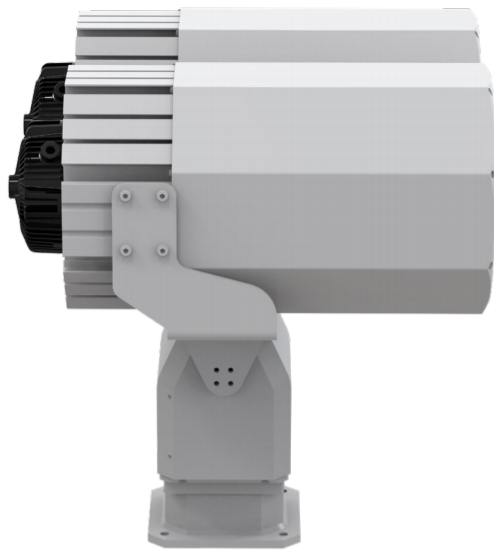
## Features

- Protection class: IP66
- Power: 600W
- Irradiation distance:  $\geq 400M$  (1LUX)
- Beam angle: 15°
- Slip-rings provide continuous 360° horizontal rotation with no stop points
- Auto-return to home position
- Auto-scan with user programmability
- Advanced proportional-speed control
- Approved for temperatures down to -25°C and up to +55°C
- Materials: marine grade aluminum and stainless steel with salt-resistant powder coat finish
- Lower power consumption: LED's consume 75% or more less power than Halogen lamps
- Longer life: LED's last tens-of-thousands of hours compared to approximately 1000 to 2000 hours depending upon the Halogen lamp. This reduces lamp replacement costs, increases reliability
- 3-year warranty (3-year warranty for light, 1-year warranty for adjustable pedestal base)

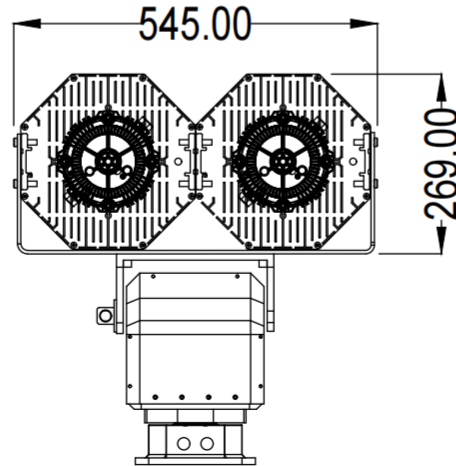
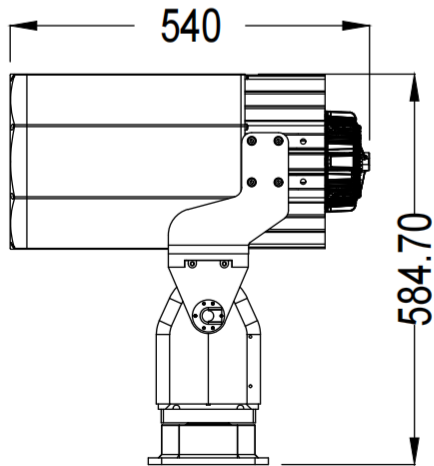


600W





## Cloud Platform



## Specifications

Model	TBSL-T3X-600W	TBSL-T3F-600W	TBSL-T3M-600W	
Light Information	Light Source	LED		
	Power Consumption	600W		
	Color Temperature	6000K		
	Input Voltage	AC100~277V 50/60HZ		
	Operating Temperature	-40°C ~ +55°C		
	IP Rating	IP66		
	Lifespan	>50,000 hours		
	Beam Angle	4°	1°	0.8°
	Beam Distance	≥1500m (1LUX)	≥6000m (1LUX)	≥10000m (1LUX)
	Housing Material	1070 Pure aluminum cold forging, with Salt-resistant, Scratch-resistant White Powder Coat Finish		
Weight	60kg			
Cloud Platform (Optional)	Adjustable Speed	Horizontal: 1°~ 9°/S; vertical: 1 ~6°/S;		
	Adjustable Angle	Horizontal: 0~180° or 0~360°; vertical +30°~-30°; or customizable		
	Preset Position	200 pcs		
	Repeated Positioning Accuracy	±0.2°		
	Communication Protocol	Pelco-D, Pelco-P for option		
	Communication Baud Rate	2400/4800/9600/19200 bps for option		
Communication Interface	RS485			