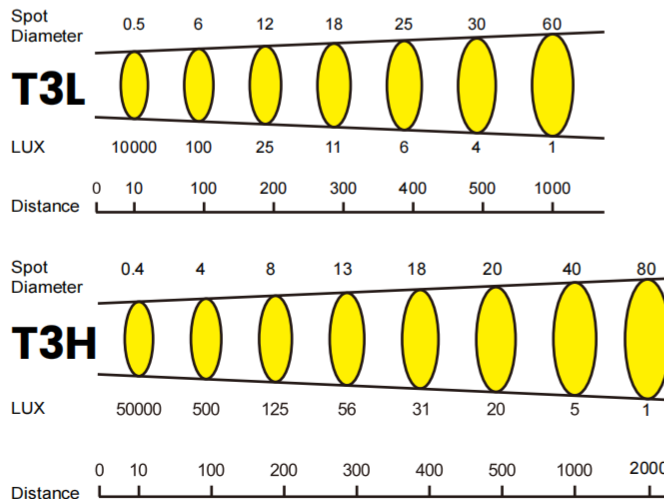


Features

- Protection class: IP66
- Power: 240W / 300W available
- Irradiation distance: T3L $\geq 1000\text{M}$ (1LUX) , T3H $\geq 2000\text{M}$ (1LUX)
- Beam angle: 3.5° / 2.5°
- Slip-rings provide continuous 360° horizontal rotation with no stop points
- Auto-return to home position
- Auto-scan with user programmability
- Advanced proportional-speed control
- Approved for temperatures down to -25°C and up to +55°C
- Materials: marine grade aluminum and stainless steel with salt-resistant powder coat finish
- Lower power consumption: LED's consume 75% or more less power than Halogen lamps
- Longer life: LED's last tens-of-thousands of hours compared to approximately 1000 to 2000 hours depending upon the Halogen lamp. This reduces lamp replacement costs, increases reliability
- 3-year warranty (3-year warranty for light, 1-year warranty for adjustable pedestal base)



Applications

- National defense
- Marine
- Military
- Water conservation
- Expedition and oil field
- Wharf
- Large surface warship
- Maritime search and rescue





TBSL-T3L/H-240E

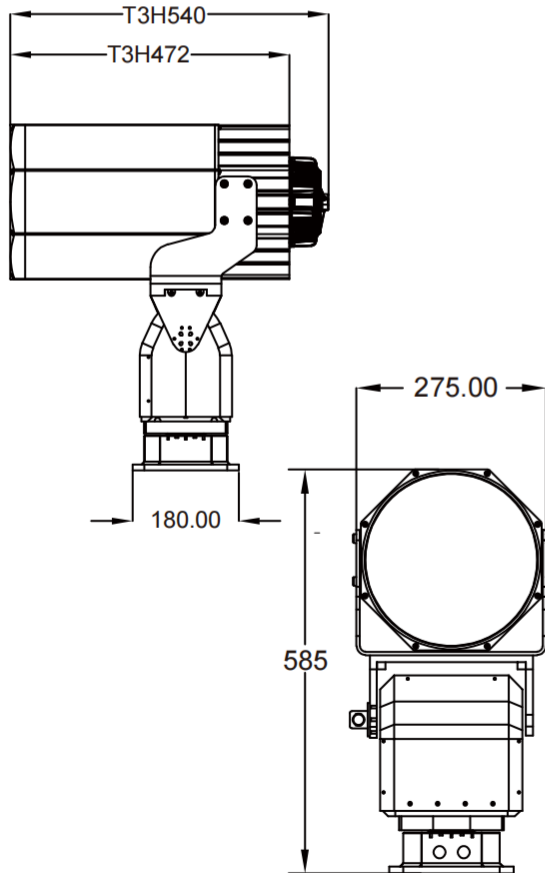


TBSL-T3L/H-240E-C



TBSL-T3L/H-300E-A /B

Specifications



Model	TBSL-T3L/H-240E	TBSL-T3L/H-240E-C	TBSL-T3L/H-300E-A/B	
Light Information	Light Source	LED	LED	LED
	Power Consumption	240W	240W	300W
	Color Temperature	6500K		
	Input Voltage	AC100 ~ 277V (50/60Hz) / AC220~240V(50/60Hz)		
	Operating Temperature	-25°C ~ +55°C		
	IP Rating	IP66		
	Lifespan	>50,000 hours		
	Beam Angle	3.5° / 2.5°	3.5° / 2.5°	3.5° / 2.5°
	Beam Distance	≥1000m (1LUX) / ≥2000m (1LUX)	≥1000m (1LUX) / ≥2000m (1LUX)	≥1000m (1LUX) / ≥2000m (1LUX)
	Housing Material	1070 Pure aluminum cold forging, with salt-resistant, scratch-resistant white powder coat finish		
Packing Size (mm)	600*400*400mm	700*500*500mm	600*400*400mm + 380*380*450mm	
Weight	15Kg	23Kg	40Kg	
Product Configuration	Bare ligh	With manual bracket	With adjustable pedestal base	
Cloud Platform (Optional)	Adjustable Speed	/	/	Horizontal: 1°~25°/S, vertical 1°~15°/S
	Adjustable Angle	/	/	Horizontal: 0~180° or 0~360°(continuous rotation) vertical +30°~-30°, or customizable
	Preset Position	/	/	200pcs
	Repeated Positioning Accuracy	/	/	±0.2°
	Communication Protocol	/	/	Pelco-D, Pelco-P for option
	Communication Baud Bate	/	/	2400 / 4800 / 9600 / 9200 bps for option
	Communication Interface	/	/	RS485
Power	/	/	60W	