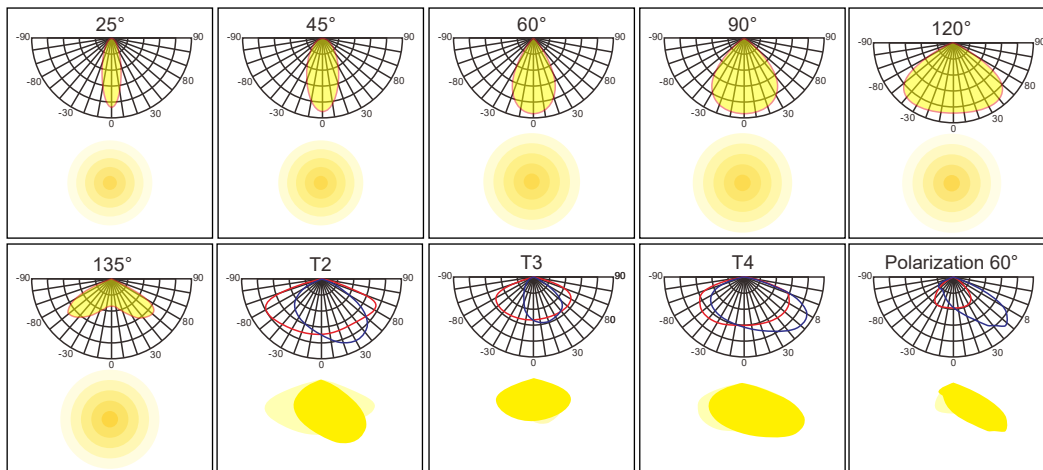


Features

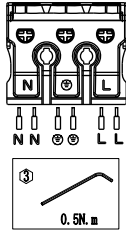
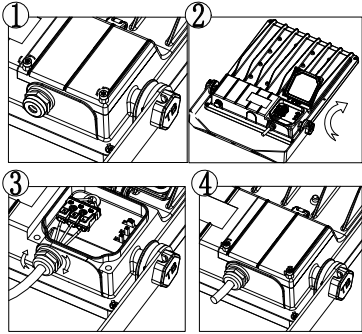
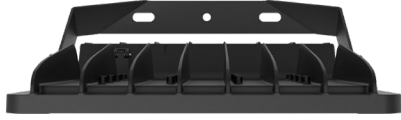
- IP66 & IP69K, IK11(PC), IK08 (Glass)
- 160lm/W/180lm/W/ (200lm/W Ra70)
- 100W ~ 240W
- CCT & Photocell & Power adjustable
- Photocell control with 25-75lux, 200-600lux and disable modes
- Plug-and-play PIR sensor
- 3 core/5 core/ through wiring are optional
- Back-access wiring compartment for fast and independent connections
- Corrosion resistance grade C4/C5



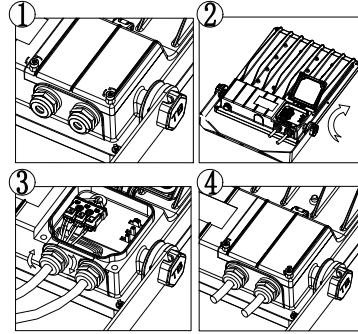
Applications

- Billboard
- Warehouse
- Padel Court
- Sports lighting
- Public Spaces
- Logistics Facilities
- Industry & Warehouse
- Marine-grade lighting
- Offshore production platform
- Public Spaces



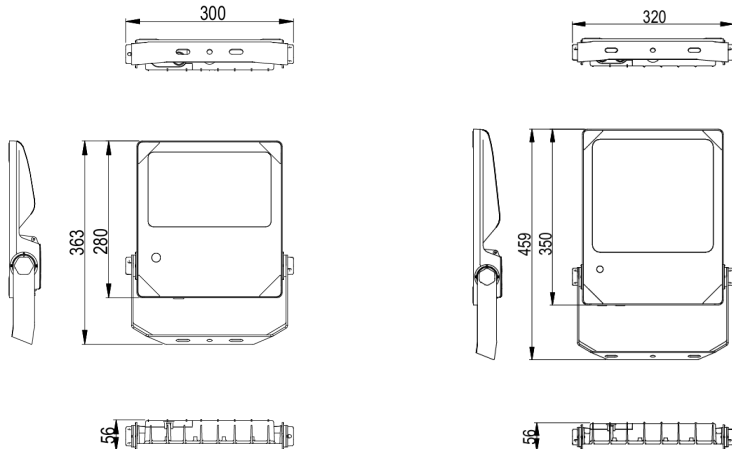


Single wiring



Through wiring

Size description



Specifications

Product Code	TG5-100W	TG5-150W	TG5-200W	TG5-240W
Power	100W (75W/50W)	150W (112.5W/75W)	200W (150W/100W)	240W (180W/120W)
Input Voltage	100-240VAC, 50/60Hz			
PF	>0.95 @220VAC			
Function Optional	ON/OFF or 0-10V Dimming			
CCT	Single CCT: 3000K / 4000K / 5000K / 6000K Dual CCT: 3000K & 4000K Tri CCT: 3000K & 4000K & 5000K			
Luminous Flux(Lm)	13500 ~ 16500Lm	20250 ~ 24750Lm	20250 ~ 24750Lm	32400 ~ 39600Lm
Efficiency	160Lm/W±10% @ 3030led (single & dual & tri-CCT) Ra80 25°, 45°, 60°, 90°, 120°, 135°, T2M, T2M, P80X150°			
Luminous Flux	16200 ~ 19800Lm	16200 ~ 19800Lm	32400 ~ 39600Lm	38880 ~ 47520Lm
Efficiency	180Lm/W±10% @ 3030led (single & dual & tri-CCT) Ra80 60°x120°, 90°x120°, Type3			
Luminous Flux	18000 ~ 22000Lm	27000 ~ 33000Lm	36000 ~ 44000Lm	38880 ~ 47520Lm
Efficiency	200Lm/W±10% @ 3030led (single & dual & tri-CCT) Ra70 60°x120°, 90°x120°, Type3			
LED Brand	sanan / Hongli			
Driver Brand	Inventronics			
Light Type	SMD 3030			
Operating Temperature	-40°C~+45°C			
Storage Temperature	-40°C~+60°C			
IP Class	IP66, IP69K			
IK Class	IK08 (Glass) / IK11(Polycarbonate)			
Certificate	CE, RoHS			
Lamp Body Color	Gray / Black			
Product Size (mm)	357x295x56	435x315x56	435x315x56	435x315x56
Packing Size (mm)	390x315x286	496x335x217	496x335x217	496x335x217
Quantity / Carton	4	3	3	3
Gross Weight (kg)	11kg	10kg	11kg	11.5kg
Installation Mode	Bracket mounting/Pole mounting			