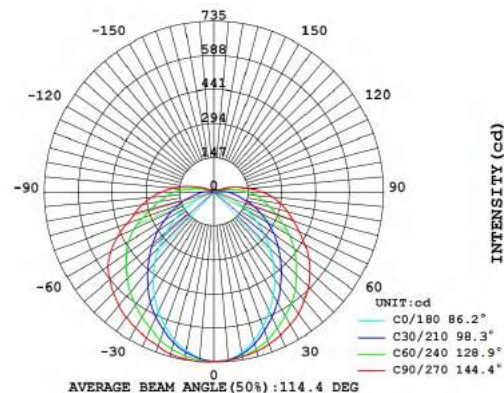
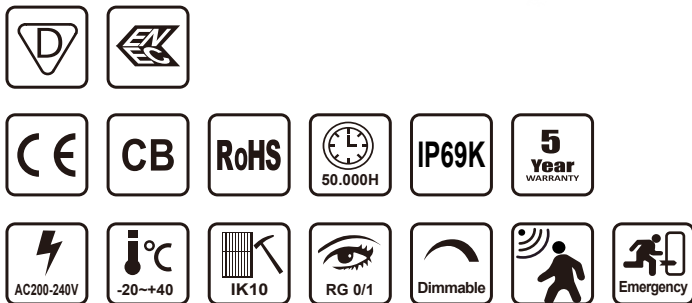
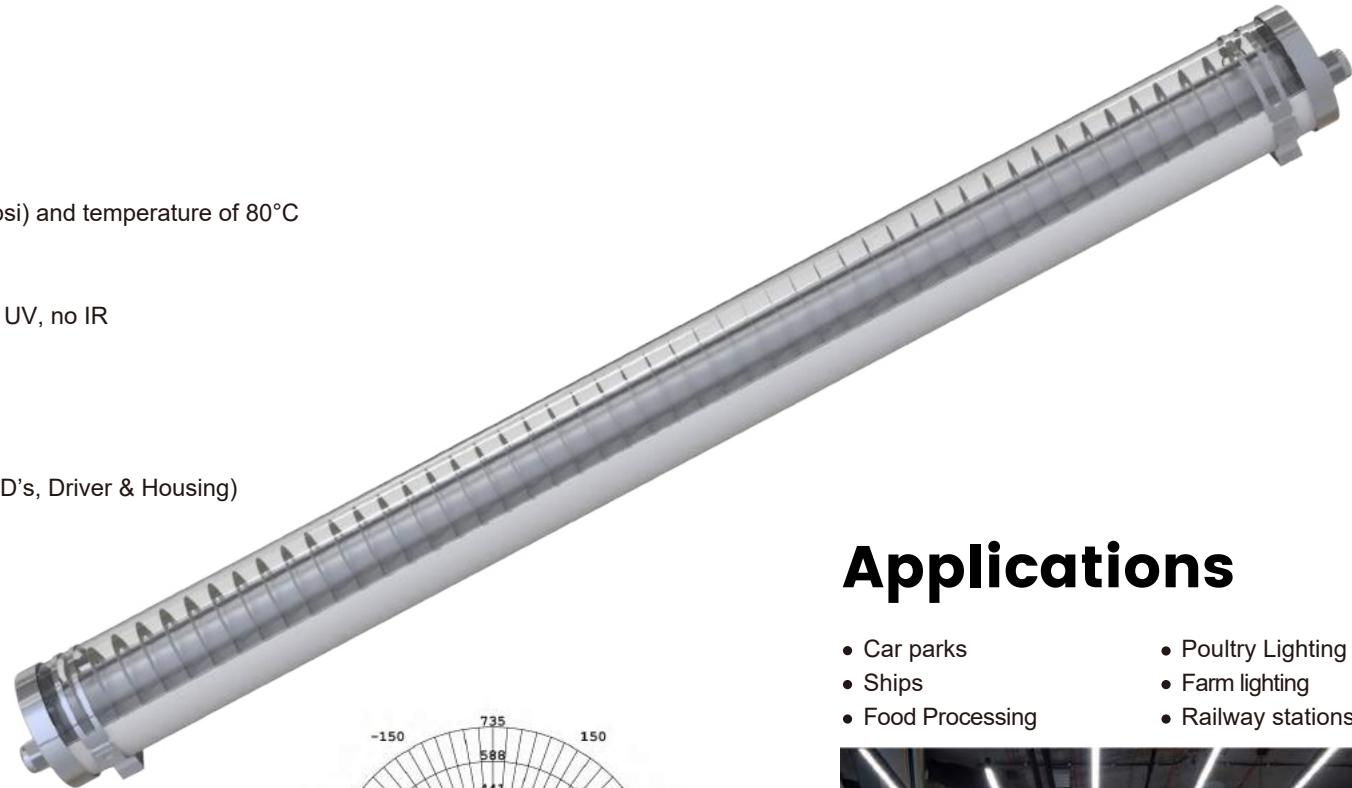


## Features

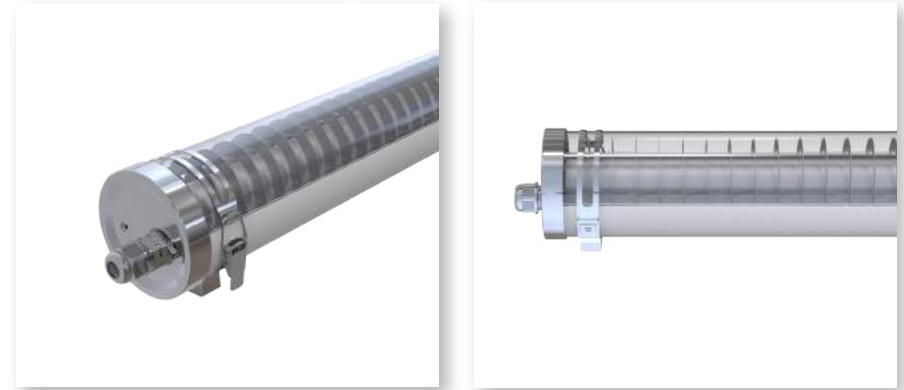
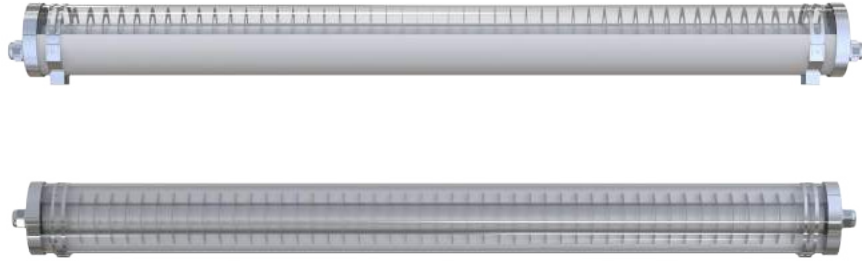
- IP67 & IP69K & IK10
- PMMA IK08 / PC IK10
- Anti-ammonia
- Against water pressure of 100bar (1450psi) and temperature of 80°C
- System efficiency up to 100Lm/W
- High CRI>80
- Environmentally friendly, no mercury, no UV, no IR
- Wide beam angle 120°
- Grid angle 45° / 90°
- Energy efficiency Grade:A+
- Quick Start instant 100% luminous flux
- 5 years warranty on complete fixture (LED's, Driver & Housing)
- Certificate: CE, RoHs Certified
- Surface Mount or Suspension Mount



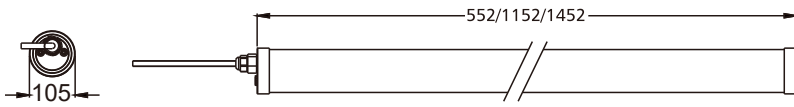
## Applications

- Car parks
- Ships
- Food Processing
- Poultry Lighting
- Farm lighting
- Railway stations

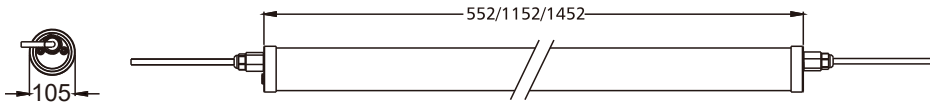




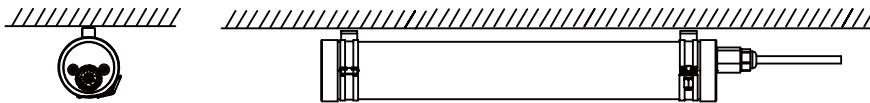
### Single Installation



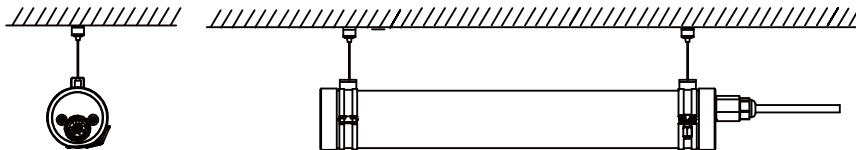
### Linkable Installation



### Surface Mount



### Suspension Mount



## Specifications

Product Code	TBL9P2F-20W	TBL9P4F-40W	TBL9P5F-60W
Power	20W	40W	60W
Input Voltage	200-240VAC / 100-277VAC (50/60Hz)		
Input Current	0.15A@220VAC	0.3A@220VAC	0.4A@220VAC
PF	0.90@220VAC		
Dimming Option	0-10V/Dali		
CCT	2700K / 3000K / 4000K / 5000K / 5700K / 6000K /6500K		
Luminous Flux	2000Lm	4000Lm	6000Lm
Efficiency	100Lm/W±5% (Ra>80)		
LED Brand	Lumileds/Hongli 2835		
Beam Angle	120°		
Operation Temp	-20°C~+40°C		
Storage Temp	-20°C~+60°C		
Life Span	Ta 40°C L70>54000 hours		
IP Class	IP67 & IP69K		
IK Class	PMMA IK08 / PC IK10		
Certificate	CE, RoHS, IK10, IP69K		
Lamp Body Color	Milky PC/PMMA Housing & 304/316 Stainless Steel End Caps		
Product Size (mm)	∅105*552	∅105*1152	∅105*1452
Packing Size (mm)	730*340*345mm	1330*345*240mm	1630*345*240mm
Quantity / Carton	9PCS	6PCS	6PCS
Gross Weight (kg) ±0.3	14	15	17.5
Installation Mode	Surface mount / Suspension mount		